



Dryer

Use & Care Guide



Table of Contents



Important Safety Instructions 1-2



Dryer Exhaust Tips 3



Operating Tips 4



Using the Controls 5-6



Special Laundry Tips 7



Care and Cleaning 8



Troubleshooting 9



Drying Accessories 10



Warranty 11

**Guide d'utilisation
et d'entretien** 12

Guía de uso y cuidado 24



Important Safety Instructions

Installer: Please leave this guide with this appliance.

Consumer: Please read and keep this guide for future reference. Keep sales receipt and/or canceled check as proof of purchase.

Model Number _____

Serial Number _____

Date of Purchase _____

If you have questions, call:

Customer Assistance
1-800-688-9900 U.S.
1-800-688-2002 Canada

U.S. Customers using TTY for deaf, hearing impaired or speech impaired, call 1-800-688-2080.

In our continuing effort to improve the quality and performance of our appliances, it may be necessary to make changes to the appliance without revising this guide.

For service information, see page 11.

What You Need to Know About Safety Instructions

Warning and Important Safety Instructions appearing in this guide are not meant to cover all possible conditions and situations that may occur. Common sense, caution and care must be exercised when installing, maintaining or operating appliance.

Always contact the manufacturer about problems or conditions you do not understand.

Recognize Safety Symbols, Words, Labels

WARNING

WARNING – Hazards or unsafe practices which **COULD** result in severe personal injury or death.

CAUTION

CAUTION – Hazards or unsafe practices which **COULD** result in minor personal injury.

WARNING

For your safety, the information in this guide must be followed to minimize the risk of fire or explosion or to prevent property damage, personal injury or death.

- **Do not** store or use gasoline or other flammable vapors and liquids in the vicinity of this or any other appliance.

WHAT TO DO IF YOU SMELL GAS

- **Do not** try to light any appliance.
- **Do not** touch any electrical switch.
- **Do not** use any phone in your building.
- Clear the room, building or area of all occupants.
- Immediately call your gas supplier from a neighbor's phone. Follow the gas supplier's instructions.
- If you cannot reach your gas supplier, call the fire department.

Installation and service must be performed by a qualified installer, service agency or the gas supplier.

WARNING! FIRE HAZARD

Do not place into your dryer items that have been spotted or soaked with vegetable oil or cooking oil. Even after being washed, these items may contain significant amounts of these oils. The remaining oil can ignite spontaneously. The potential for spontaneous ignition increases when the items containing vegetable oil or cooking oil are exposed to heat. Heat sources, such as your clothes dryer, can warm these items, allowing an oxidation reaction in the oil to occur. Oxidation creates heat. If this heat cannot escape, the items can become hot enough to catch fire. Piling, stacking or storing these kinds of items may prevent heat from escaping and can create a fire hazard.

All washed and unwashed fabrics that contain vegetable oil or cooking oil can be dangerous. Washing these items in hot water with extra detergent will reduce, but will not eliminate, the hazard. Always use the "cool down" cycle for these items to reduce the items' temperature. **Never** remove these items from the clothes dryer hot or interrupt the drying cycle until the items have run through the "cool down" cycle. **Never** pile or stack these items when they are hot.



Important Safety Instructions

⚠ WARNING

To reduce the risk of fire, explosion, electric shock, or personal injury when using your appliance, follow basic safety precautions, including the following:

1. Read all instructions *before* using the appliance.
2. To avoid the possibility of fire or explosion:
 - **Do not** dry items that have been previously cleaned in, washed in, soaked in, or spotted with gasoline, dry-cleaning solvents, other flammable or explosive substances as they give off vapors that could ignite or explode. Any material on which you have used a cleaning solvent, or which is saturated with flammable liquids or solids, **should not** be placed in the dryer, until all traces of these flammable liquids or solids and their fumes have been removed. There are many highly flammable items used in homes, such as: acetone, denatured alcohol, gasoline, kerosene, some liquid household cleaners, some spot removers, turpentine, waxes and wax removers.
 - Items containing foam rubber (may be labeled latex foam) or similarly textured rubber-like materials **must not** be dried on a heat setting. Foam rubber materials when heated, can under certain circumstances, produce fire by spontaneous combustion.
3. **Do not** allow children to play on or in the appliance. Close supervision of children is necessary when the appliance is used near children.
4. *Before* the appliance is removed from service or discarded, remove the door to the drying compartment.
5. **Do not** reach into the appliance if the drum is moving.
6. **Do not** install or store this appliance where it will be exposed to the weather.
7. **Do not** tamper with controls.
8. **Do not** repair or replace any part of the appliance or attempt any servicing unless specifically recommended in published user-repair instructions that you understand and have the skills to carry out.
9. **Do not** use fabric softeners or products to eliminate static unless recommended for dryer use by the

manufacturer of the fabric softener or product.

10. Clean the lint screen before or after each load.
11. Keep the area around the exhaust opening and surrounding areas free from lint accumulation, dust and dirt.
12. The interior of the dryer and exhaust duct should be cleaned periodically by qualified service personnel.
13. This appliance must be properly grounded. **Never** plug the appliance cord into a receptacle which is not grounded adequately and in accordance with local and national codes. See installation instructions for grounding this appliance.
14. **Do not** sit on top of the dryer.

Important Safety Notice & Warning

The California Safe Drinking Water and Toxic Enforcement Act of 1986 (Proposition 65) requires the Governor of California to publish a list of substances known to the State of California to cause cancer or reproductive harm, and requires businesses to warn customers of potential exposures to such substances.

Users of this appliance are hereby warned that the burning of gas can result in low-level exposure to some of the listed substances, including benzene, formaldehyde and soot, due primarily to the incomplete combustion of natural gas or liquid petroleum (LP) fuels. Exhaust ducts should be kept free of obstructions and properly exhausted dryers will minimize exposure.

⚠ WARNING

Gas leaks may occur in your system and result in a dangerous situation. Gas leaks may not be detected by smell alone. Gas suppliers recommend you purchase and install an UL approved gas detector. Install and use in accordance with the manufacturer's instructions.

Note: Because of continuing product improvements, Crosley reserves the right to change specifications without notice. For complete details, see the Installation Instructions packed with your product *before* selecting cabinetry, making cutouts or beginning installation.

SAVE THESE INSTRUCTIONS



Dryer Exhaust Tips

⚠ WARNING

Plastic or nonmetal flexible duct presents a potential fire hazard.

Do

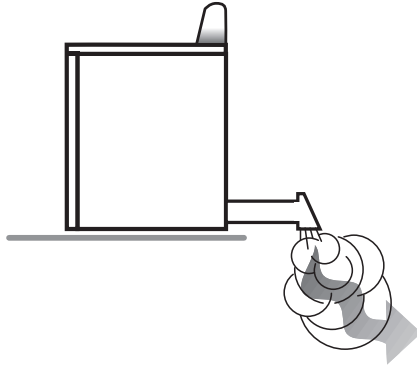
Read the installation instructions and the Use and Care Guide.

DON'T

Let a poor exhaust system cause slow drying.

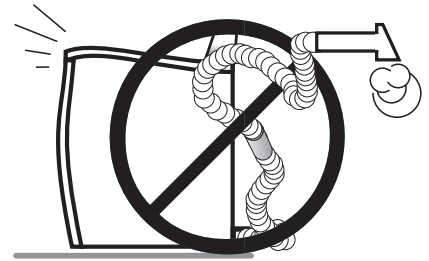
Do

Let your dryer exhaust the air easily.



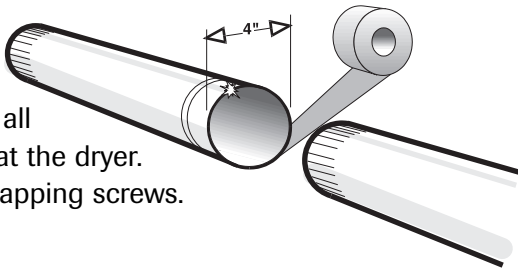
DON'T

Restrict your dryer with a poor exhaust system.



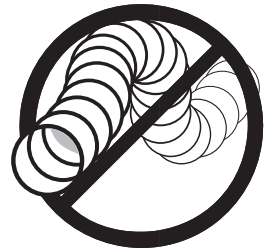
Do

Use 4 inch diameter rigid metal duct. Tape all joints, including at the dryer. **Never** use lint-trapping screws.



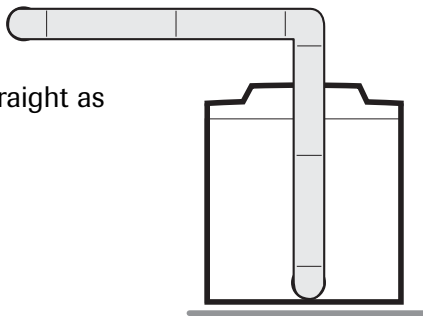
DON'T

Use plastic, thin foil, or non-metal flexible duct.



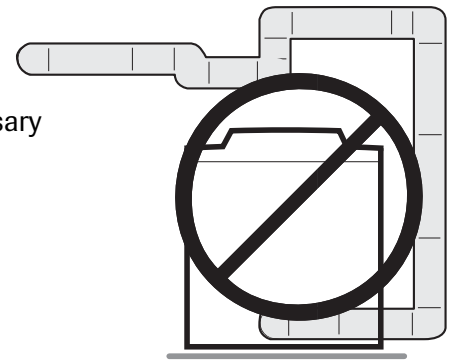
Do

Keep duct runs as straight as possible.



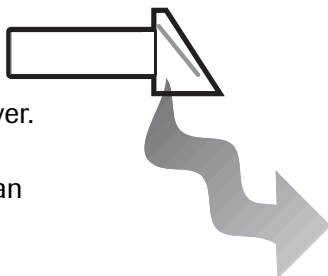
DON'T

Use longer than necessary duct runs with many elbows.



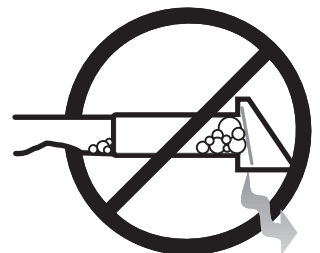
Do

Clean all old ducts *before* installing your new dryer. Be sure vent flap opens and closes freely. Inspect and clean the exhaust system annually.



DON'T

Allow crushed or clogged ducts and vent.

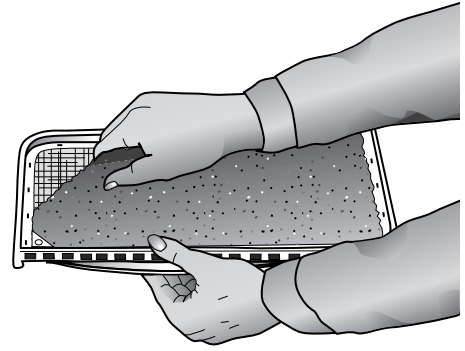




Operating Tips

Clean the Lint Filter

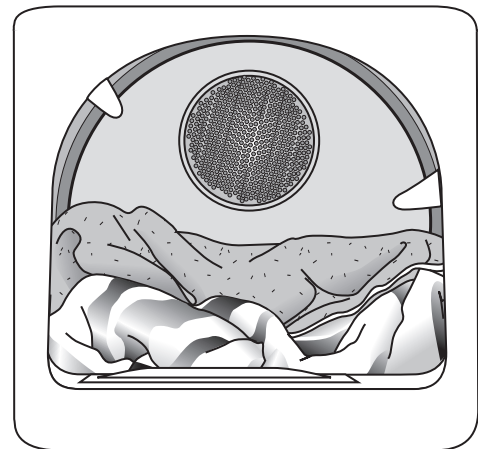
- After each load.
- To shorten drying time.
- To operate more energy efficiently.



Note: Do not operate the dryer without the lint filter in place.

Load the Dryer Properly

- By placing only one wash load in the dryer at a time.
- Avoid very small loads or mixing heavyweight and lightweight clothes.
- When only one or two articles need drying, add a few similar items to improve tumbling and drying efficiency.
- When drying large, bulky items such as a blanket or comforter, it may be necessary to reposition the load during the cycle to ensure even drying.

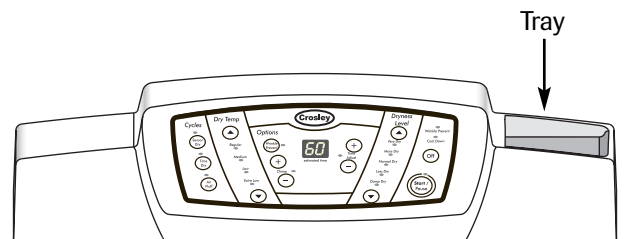


Add A Fabric Softener Sheet (If Desired)

- After loading the dryer.
- To control static cling.
- *Before* the load becomes warm. This helps prevent greasy-looking softener stains.
- Remove any used softener sheets from the dryer to prevent greasy-looking softener stains.

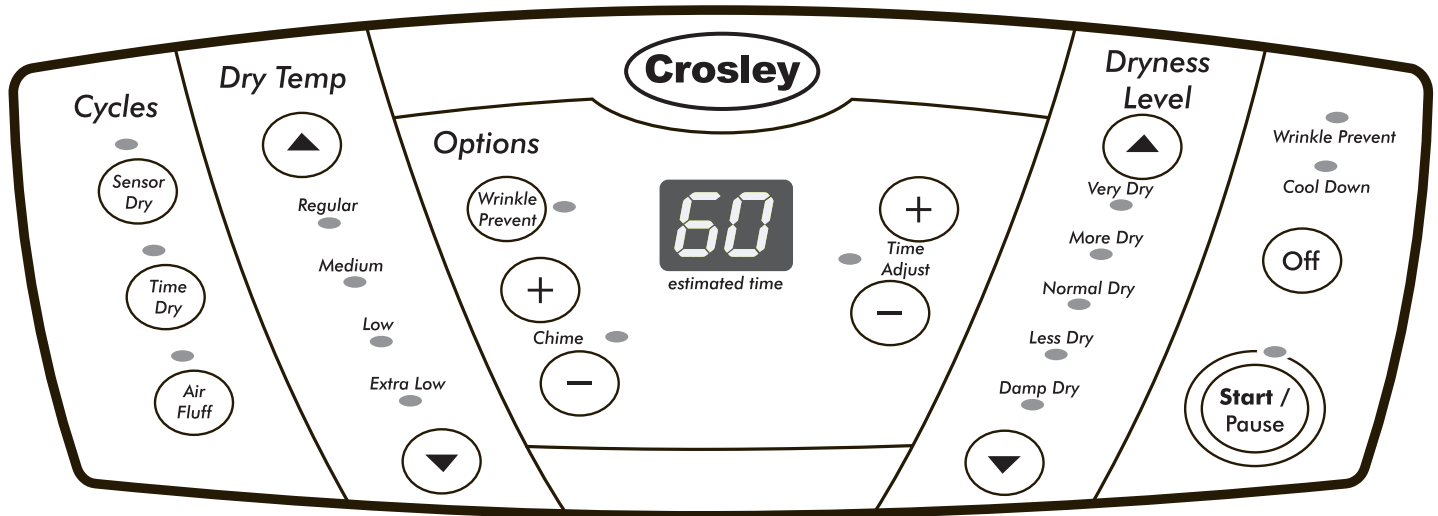
Odds and Ends Tray

- A tray for small items is conveniently built into the right side of the console. It can also hold some pretreat spray bottles for easy access.





Using the Controls



STEP 1

Select the Cycle

Press the appropriate pad to select the desired cycle. The indicator light above the pad will illuminate when the option is selected.

Sensor Dry – automatically senses the moisture in the load and shuts the dryer off when the selected dryness level (Very Dry to Damp Dry) is reached. This cycle is recommended for the majority of loads including delicates, wrinkle-free and cotton/sturdy items like towels, bedding and jeans.

Time Dry – may be selected for any load if Sensor Dry is not used. Press the **Time Adjust** “+” or “-” time pad to select the desired number of minutes.

Air Fluff - provides 20 minutes of tumbling in unheated air. Used for freshening items.

STEP 2

Select the Temperature

Dry Temp – there are four temperature settings. Press the up ▲ or down ▼ arrow pads to select **Regular**, **Medium**, **Low** or **Extra Low** temperatures.

Regular	For sturdy cottons or those labeled “Tumble Dry.”
Medium	For permanent press, synthetics, lightweight cottons or items labeled “Tumble Dry Medium.”
Low	For heat-sensitive items labeled “Tumble Dry Low” or “Tumble Dry Warm.”
Extra Low	Provides the lowest heated dry temperature possible.

STEP 3

Select the Dryness Level

Select Dryness Level – press the ▲ or ▼ arrow pads to select the desired dryness level.

Very Dry	Used to completely dry sturdy or bulky items including towels and jeans.
More Dry	Used to completely dry the load.
Normal Dry	Used for drying the majority of loads.
Less Dry	Use for lightweight items or for leaving some moisture in the clothing at the end of the cycle.
Damp Dry	Designed to partially dry items. Used for items that lay flat or hang to dry.



Using the Controls

STEP 4

Select Options (If Desired)

End of Cycle Chime - When the cycle is complete, an audible chime will sound. When the Wrinkle Prevent option is selected, the chime will sound intermittently. Adjust the volume of the chime by pressing the **Chime “+” or “-”** pad.

Wrinkle Prevent - provides approximately 95 minutes of intermittent tumbling in unheated air at the end of the cycle to reduce wrinkling.

STEP 5

Start the Dryer

Start/Pause - close the door and press the **Start/Pause** pad to start the dryer.

Off - Press the **Off** pad to cancel the cycle and stop the dryer.



Estimated Time Display

- After pressing Start/Pause, the display will show the estimated time remaining in the cycle.



estimated time

Indicator Lights

- The indicator lights near the pads will light when the pad is selected.
- If the Wrinkle Prevent option has been selected, the Wrinkle Prevent light will illuminate to indicate that the load is dry and the dryer has moved into the Wrinkle Prevent portion of the cycle (see Step 4).
- The Cool Down indicator light will illuminate when the dryer moves into the cool-down portion of the cycle.



Special Laundry Tips

Please follow the care label or manufacturer’s instructions for drying special items. If care label instructions are not available, use the following information as a guide.

Bedspreads & Comforters	<ul style="list-style-type: none"> • Follow the care label instructions or dry on the Sensor Dry cycle and Regular temperature. • Be sure the item is thoroughly dry <i>before</i> using or storing. • May require repositioning to ensure even drying.
Blankets	<ul style="list-style-type: none"> • Select Sensor Dry and dry only one blanket at a time for best tumbling action. • Be sure the item is thoroughly dry <i>before</i> using or storing.
Curtains & Draperies	<ul style="list-style-type: none"> • Select the Sensor Dry cycle and Extra Low temperature to help minimize wrinkling. • Dry these in small loads for best results and remove as soon as possible.
Cloth Diapers	<ul style="list-style-type: none"> • Select Sensor Dry and the Regular temperature setting for soft, fluffy diapers.
Down-filled Items (jackets, sleeping bags, comforters, etc.)	<ul style="list-style-type: none"> • Select Sensor Dry and the Extra Low temperature setting. • Place a clean pair of sneakers in the dryer with the item to fluff the down comforters, etc. Adding a couple of dry towels shortens dry time and absorbs moisture.
Foam Rubber (rug backs, stuffed toys, shoulder pads, etc.)	<ul style="list-style-type: none"> • Do not dry on a heat setting. Select the Air Fluff cycle (no heat). • ⚠ WARNING – Drying a rubber item with heat may damage it or be a fire hazard.
Pillows	<ul style="list-style-type: none"> • Select Sensor Dry. • Add a couple of dry towels and a pair of clean sneakers to help the tumbling action and to fluff the item. • Do not dryer-dry kapok or foam pillows.
Plastics (shower curtains, outdoor furniture covers, etc.)	<ul style="list-style-type: none"> • Select the Air Fluff or Time Dry cycle and the Extra Low temperature setting depending on the care label instructions.

Avoid Dryer Drying:

- Fiberglass items (curtains, draperies, etc.)
- Woolens, unless recommended on the label.
- Vegetable or cooking oil soaked items. (See *WARNING! FIRE HAZARD*, pg. 1)



Care And Cleaning

Care and Cleaning

Control Panel – clean with a soft, damp cloth. **Do not** use abrasive substances. **Do not** spray cleaners directly on the panel.

Tumbler – remove any stains such as crayon, ink pen or fabric dye (from new items such as towels or jeans) with an all-purpose cleaner. Then tumble old towels or rags to remove any excess stains or cleaning substances. Once these steps are done, stains may still be visible, but should not transfer to subsequent loads.

Cabinet – wipe off any marks with soap and water.

Dryer Exhaust System – should be inspected and cleaned once a year to maintain optimum performance. The outside exhaust hood should be cleaned more frequently to ensure proper operation. (Refer to the Installation Instructions for more information.)

Replace Drum Light

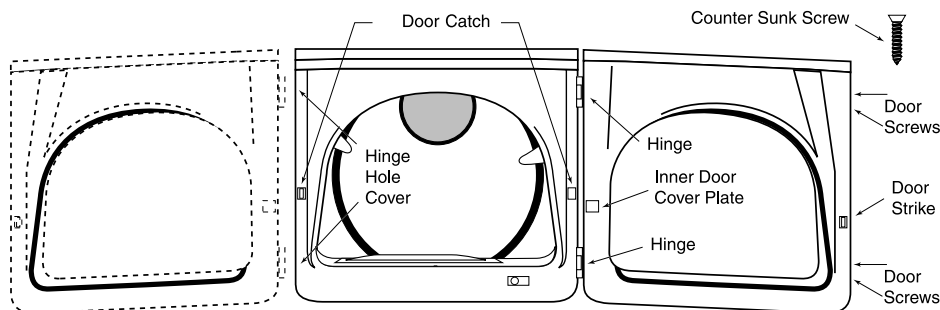
Instructions for replacing the bulb:

1. Unplug or disconnect the dryer from the electrical power supply.
2. Open the door and use a Phillips screwdriver to remove the screw attaching the lens to the tumbler front.
3. Remove lens cover by pulling cover toward center of tumbler.
4. Rotate bulb *counterclockwise* to remove from socket.
5. Replace the bulb with a 120 volt, 10 watt maximum candelabra base light bulb.
6. Turn the light bulb *clockwise* into socket.
7. Replace lens cover by hooking plastic tabs into tumbler front below the light housing.
8. Reinstall the screw into the lens cover screw hole.
9. Reconnect dryer to power supply.

Reverse the Door

Instructions for reversing the dryer door:

1. Remove the hinge hole covers and screws.
2. While supporting the door, remove 2 screws in the hinges that secure the hinges to the cabinet.
3. Remove door by lifting slightly at the hinges and pulling the hinge tabs out of the hinge slots.
4. Move the following parts to the opposite side of the door: 2 hinges and 4 hinge screws, 4 door screws, door strike and screw, inner door cover plate and screw.
5. Attach the door to the opposite side of the cabinet using the 2 counter sunk hinge screws. (See below).
Screw the lower hinge screw in first. This will help to align the door and hinges.
6. Replace the hinge hole covers to the opposite side.



Troubleshooting

Doesn't Run	<ul style="list-style-type: none"> • Be sure the door is latched shut. • Be sure the power cord is plugged into a live electrical outlet. • Check the home's circuit breaker and fuses. • Press the Start/Pause pad again if the door is opened during the cycle.
Doesn't Heat	<ul style="list-style-type: none"> • Check the home's circuit breaker and fuses. • Select a heat setting, not Air Fluff. • On a gas dryer, check that the gas supply is on. • Clean the lint filter and exhaust duct. • Dryer may have moved into the cool-down portion of the cycle.
Doesn't Dry	<p>Check all of the above, plus...</p> <ul style="list-style-type: none"> • Be sure the exhaust hood at the outside of the home can open and close freely. • Check exhaust system for lint build-up. Ducting should be inspected and cleaned annually. • Use 4" rigid metal exhaust duct. • Do not overload. 1 Wash load = 1 Dryer load. • Sort heavy items from lightweight items. • Large, bulky items like blankets or comforters may require repositioning to ensure even drying. • Check that the washer is draining properly to extract adequate water from the load. • Clothes load too small to tumble properly. Add a few towels.
Is Noisy	<ul style="list-style-type: none"> • Check the load for objects such as coins, loose buttons, nails, etc. Remove promptly. • It is normal to hear the dryer gas valve or heating element cycle on and off during the drying cycle. • Be sure the dryer is leveled properly as outlined in the installation manual. • Be sure the rubber feet are installed on the leveling legs. • It is normal for the dryer to hum due to the high velocity of air moving through the dryer drum and exhaust system.
Dries Unevenly	<ul style="list-style-type: none"> • Seams, pockets and other similar heavy areas may not be completely dry when the rest of the load has reached the selected dryness level. This is normal. Select the Very Dry setting if desired. • If one heavy item is dried with a lightweight load, such as one towel with sheets, it is possible that the heavy item will not be completely dry when the rest of the load has reached the selected dryness level. Sort heavy items from lightweight items for best drying results.
Has an Odor	<ul style="list-style-type: none"> • Household odors such as from painting, varnishing, strong cleaners, etc. may enter the dryer with the surrounding room air. This is normal as the dryer draws the air from the room, heats it, pulls it through the tumbler and exhausts it to the outside. When these odors are present in the air, ventilate the room completely <i>before</i> using the dryer.
"PF" Appears in the Display	<ul style="list-style-type: none"> • The dryer has experienced a power failure. Press Off, then restart the cycle.
"18" Appears in the Display	<ul style="list-style-type: none"> • Press Off, then restart the cycle

For further assistance contact Customer Assistance: U.S. 1-800-688-9900 or Canada 1-800-688-2002. U.S. Customers using TTY for deaf, hearing impaired or speech impaired, call 1-800-688-2080.

Drying Accessories

Using the Drying Rack

The drying rack allows you to dry items that you don't want to tumble dry; for example, sneakers, washable sweaters, stuffed toys or pillows, etc.

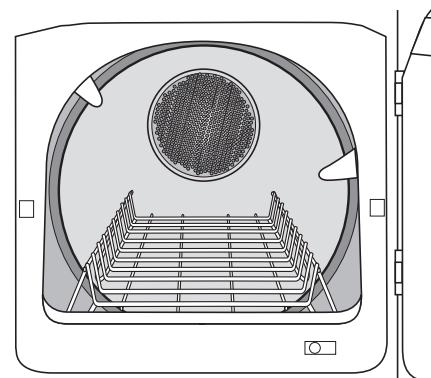
The rack remains stationary, but the drum rotates. **(Make sure nothing hangs over the edges of the rack.)**

To Use Rack:

- 1) Open dryer door.
- 2) Position drying rack in tumbler with the two extension wires toward you. These wires will brace the rack against the front surface of the tumbler. Legs will rest on front ledge and at back of drum.
- 3) Place wet items on the rack, leaving space between them so air can reach all surfaces.
- 4) Close dryer door.
- 5) Use the **Time Dry** cycle or use **Sensor Dry Regular Fabrics** cycle. Select time according to moisture and weight of item. Push the **Start/Pause** button. It may be necessary to reset the controls if a longer drying time is needed.

To Remove Rack:

- 1) Open dryer door.
- 2) Lift rack straight up and out.



SUGGESTED ITEMS

SUGGESTED TEMPERATURE SETTINGS

SUGGESTED ITEMS	SUGGESTED TEMPERATURE SETTINGS
Washable sweaters (block to shape and lay flat on rack)	Heat
Stuffed toys or pillows (cotton or polyester fiber filled)	Heat
Stuffed toys* (foam or rubber filled)	Air Fluff
Foam rubber pillows*	Air Fluff
Sneakers	Air Fluff or Heat

WARNING

***WARNING** – When drying foam rubber, plastic or rubber with heat, it is possible they will suffer damage and could lead to a fire hazard.

Note: If not included with your dryer, contact your Maytag dealer for the accessory kit MAL1000AXX or call 1-877-232-6771 USA and 1-800-688-8408 Canada.



Warranty & Service

Warranty

Limited One Year Warranty - Parts and Labor

For **one (1) year** from the original retail purchase date, any part which fails in normal home use will be repaired or replaced free of charge.

Canadian Residents

The above warranties only cover an appliance installed in Canada that has been certified or listed by appropriate test agencies for a compliance to a National Standard of Canada unless the appliance was brought into Canada due to transfer of residence from the United States to Canada.

*The specific warranties expressed above are the **ONLY** warranties provided by the manufacturer. These warranties give you specific legal rights, and you may also have other rights which vary from state to state.*

CUSTOMER'S SOLE AND EXCLUSIVE REMEDY UNDER THIS LIMITED WARRANTY SHALL BE PRODUCT REPAIR AS PROVIDED HEREIN. IMPLIED WARRANTIES, INCLUDING WARRANTIES OF MERCHANTABILITY OR FITNESS FOR A PARTICULAR PURPOSE, ARE LIMITED TO ONE YEAR OR THE SHORTEST PERIOD ALLOWED BY LAW. MAYTAG CORPORATION SHALL NOT BE LIABLE FOR INCIDENTAL OR CONSEQUENTIAL DAMAGES. SOME STATES AND PROVINCES DO NOT ALLOW THE EXCLUSION OR LIMITATION OF INCIDENTAL OR CONSEQUENTIAL DAMAGES, OR LIMITATIONS ON THE DURATION OF IMPLIED WARRANTIES OF MERCHANTABILITY OR FITNESS, SO THESE EXCLUSIONS OR LIMITATIONS MAY NOT APPLY TO YOU. THIS WARRANTY GIVES YOU SPECIFIC LEGAL RIGHTS AND YOU MAY ALSO HAVE OTHER RIGHTS, WHICH VARY STATE TO STATE OR PROVINCE TO PROVINCE.

What is Not Covered By These Warranties

1. Conditions and damages resulting from any of the following:
 - a. Improper installation, delivery, or maintenance.
 - b. Any repair, modification, alteration, or adjustment not authorized by the manufacturer or an authorized servicer.
 - c. Misuse, abuse, accidents, unreasonable use, or acts of God.
 - d. Incorrect electric current, voltage, electrical and/or gas supply.
 - e. Improper setting of any control.
2. Warranties are void if the original serial numbers have been removed, altered, or cannot be readily determined.
3. Light bulbs, water filters and air filters.
4. Products purchased for commercial or industrial use.
5. The cost of service or service call to:
 - a. Correct installation errors. For products requiring ventilation, rigid metal ducting must be used.
 - b. Instruct the user on the proper use of the product.
 - c. Transport the appliance to and from the servicer.
6. Any food loss due to refrigerator or freezer product failures.
7. Expenses for travel and transportation for product service in remote locations.
8. Outside of the United States and Canada this warranty does not apply. Contact your dealer to determine if another warranty applies.
9. Consequential or incidental damages sustained by any person as a result of any breach of these warranties. Some states do not allow the exclusion or limitation of consequential or incidental damages, so the above exclusion may not apply.

If You Need Service

First see the Troubleshooting section in your Use and Care Guide or call the dealer from whom your appliance was purchased or call Maytag Services, LLC, Customer Assistance at 1-800-688-9900 USA and 1-800-688-2002 Canada to locate an authorized servicer.

- Be sure to retain proof of purchase to verify warranty status. Refer to WARRANTY for further information on owner's responsibilities for warranty service.
- If the dealer or service company cannot resolve the problem, write to Maytag Services, LLC, Attn: CAIR® Center, P.O. Box 2370, Cleveland, TN 37320-2370, or call **1-800-688-9900 USA and 1-800-688-2002 Canada**. U.S. customers using TTY for deaf, hearing impaired or speech impaired, call 1-800-688-2080.
- User's guides, service manuals and parts information are available from Maytag Services, LLC, Customer Assistance.

Notes: When writing or calling about a service problem, please include:

- a. Your name, address and telephone number;
- b. Model number and serial number;
- c. Name and address of your dealer or servicer;
- d. A clear description of the problem you are having;
- e. Proof of purchase (sales receipt).



Sécheuse

Guide d'utilisation et d'entretien



Table des matières



Instructions de sécurité importantes13-14



Conseils pour le circuit d'évacuation15



Conseils d'utilisation16



Les commandes17-18



Conseils spéciaux19



Entretien et nettoyage20



Recherche des pannes21



Accessories pour le séchage22



Garantie et service après-vente23

Guía de uso y cuidado24



Instructions de sécurité importantes

Installateur : Veuillez laisser ce guide avec cet appareil.

Consommateur : Lire le guide; le conserver pour consultation ultérieure. Conserver la facture d'achat ou le chèque encaissé comme preuve de l'achat.

Numéro de modèle _____

Numéro de série _____

Date d'achat _____

Pour toute question, contacter :

Service à la clientèle

1-800-688-9900 U.S.

1-800-688-2002 Canada

(Lundi au Vendredi, 8 h à 20 h, heure de l'Est)

En raison de nos efforts constants d'amélioration de la qualité de nos appareils électro-ménagers, il se peut qu'une machine à laver soit modifiée sans que le guide soit révisé.

Pour le service après-vente, voir page 23.

Ce qu'il faut savoir à propos des consignes de sécurité

Les consignes de sécurité et les mises en garde présentées dans ce guide ne couvrent pas toutes les situations possibles. Faire preuve de jugement, de prudence et d'attention lors de l'installation, de l'entretien et de l'utilisation du propriétaire.

Lorsque survient un problème ou une situation inhabituelle, toujours communiquer avec le fabricant.

Reconnaissez les étiquettes, phrases ou symboles sur la sécurité

AVERTISSEMENT

AVERTISSEMENT – Risques ou pratiques non sûres, qui **POURRAIENT** résulter en de graves blessures ou même la mort.

ATTENTION

ATTENTION – Risques ou pratiques non sûres qui **POURRAIENT** résulter en blessures mineures.

AVERTISSEMENT

Pour votre sécurité, suivre les instructions données dans ce guide afin de réduire les risques d'incendie ou d'explosion et d'éviter dommages matériels, blessures et décès.

- **Ne pas** entreposer ni utiliser d'essence ou autres produits et vapeurs inflammables à proximité de cet appareil ou de tout autre appareil ménager.

QUE FAIRE S'IL Y A UNE ODEUR DE GAZ :

- **N'allumer aucun** appareil.
- **N'actionner aucun** commutateur électrique
- **Ne pas** utiliser le téléphone dans votre maison ou dans votre immeuble.
- Faire sortir tous les occupants de la pièce, du logement ou immeuble ou de la vicinity.
- Appeler immédiatement la compagnie de gaz en utilisant le téléphone d'un voisin. Suivre les instructions de la compagnie de gaz.
- En cas d'impossibilité de joindre la compagnie de gaz, appeler les pompiers.

L'installation et toutes les réparations doivent être effectuées par un technicien qualifié, un prestataire de services ou la compagnie de gaz.

AVERTISSEMENT! RISQUE D'INCENDIE

Ne pas sécher d'articles qui ont trempé dans de l'huile végétale ou de l'huile de cuisine ou en sont tachés. Même après avoir été lavés, ces articles peuvent encore contenir des quantités non négligeables de ces substances. L'huile dont ils sont encore imbibés peut prendre feu spontanément. Le risque de combustion spontanée de ces articles augmente quand ils sont exposés à la chaleur. Des sources de chaleur, telles qu'une sècheuse, peuvent chauffer ces articles et entraîner une réaction d'oxydation de l'huile. L'oxydation produit de la chaleur. Si cette chaleur n'est pas dissipée, les articles peuvent chauffer suffisamment pour prendre feu. Le fait d'empiler ou d'entreposer ce type d'articles peut empêcher la dissipation de la chaleur et créer ainsi un risque d'incendie.

Tous les articles, lavés ou non, qui contiennent de l'huile végétale ou de l'huile de cuisine sont un danger potentiel. Le fait de les laver à l'eau chaude avec une plus grande quantité de détergent que la normale réduit les risques mais ne les élimine pas. Toujours utiliser le cycle « cool down » (cycle de refroidissement) pour réduire la température de ce type d'article. **Ne jamais** retirer ces articles de la sècheuse alors qu'ils sont encore chauds ni interrompre le cycle de séchage avant que l'appareil n'ait effectué un cycle de refroidissement. **Ne jamais** empiler ou entreposer ces articles pendant qu'ils sont encore chauds.



Instructions de sécurité importantes

⚠ AVERTISSEMENT

Pour réduire les risques d'incendie, d'explosion, d'électrocution ou des blessures lors de l'utilisation de cet appareil, suivre les précautions d'usage, dont les suivantes :

1. Lire la totalité des instructions *avant* d'utiliser l'appareil.
2. Pour éviter incendie ou explosion :
 - **Ne pas** soumettre au séchage un article qui a été précédemment nettoyé, lavé, trempé ou taché avec essence, solvant de nettoyage à sec ou autre substance inflammable ou explosive – ces produits peuvent émettre des vapeurs susceptibles de s'enflammer ou d'exploser. **Ne jamais** placer dans la sècheuse un article sur lequel on a utilisé un solvant de nettoyage ou qui a été saturé par un liquide ou solide inflammable avant d'avoir pu éliminer toute trace de ces produits liquides ou solides inflammables et des vapeurs qu'ils émettent. On trouve dans toute résidence de nombreux produits très inflammables comme acétone, alcool dénaturé, essence, kérosène, certains produits liquides d'entretien ménager, certains détachants, térébenthine, cire et produits de décapage de la cire.
 - **Ne jamais** faire sécher avec chauffage des articles contenant du caoutchouc mousse (parfois appelé mousse de latex) ou autres articles à texture caoutchouteuse similaire. Dans certaines circonstances un article à base de caoutchouc mousse peut s'enflammer spontanément sous l'effet de la chaleur.
3. **Ne jamais** laisser des enfants jouer avec ou sur l'appareil. Il convient de superviser attentivement les enfants lorsque l'appareil est utilisé en leur présence.
4. *Avant* de retirer l'appareil du service ou de le mettre au rebut, démonter la porte du compartiment de séchage.
5. **Ne pas** introduire une main dans l'appareil lorsque le tambour est en mouvement.
6. **Ne pas** installer ou remiser cet appareil en un endroit où il serait exposé aux intempéries.
7. **Ne pas** circonvier les organes de commande.
8. **Ne** réparer ou remplacer aucun composant de cet appareil; on ne doit entreprendre aucune opération d'entretien qui n'est pas spécifiquement recommandée dans des instructions de réparation publiées à l'intention des utilisateurs, ou que l'intervenant ne serait pas en mesure d'exécuter parfaitement.
9. **Ne pas** utiliser un assouplissant de tissu ou produit similaire pour éliminer les charges statiques, sauf si le fabricant du produit en recommande l'emploi dans une sècheuse.

10. Nettoyer le tamis à charpie avant ou après chaque utilisation.
11. Veiller à ce que la zone voisine de l'ouverture de décharge demeure exempte d'accumulation de charpie, poussière et souillures.
12. Faire nettoyer périodiquement l'intérieur de la sècheuse et le conduit d'évacuation par un technicien qualifié.
13. Il faut que cet appareil soit convenablement relié à la terre. **Ne jamais** brancher l'appareil dans une prise de courant qui n'est pas adéquatement reliée à la terre conformément aux prescriptions des codes local et national des installations électriques. Voir les instructions d'installation concernant la liaison à la terre de cet appareil.
14. On **ne doit jamais** s'asseoir sur la sècheuse.

Mesures de sécurité importantes

En application de la loi californienne concernant la salubrité de l'eau et la protection contre les substances chimiques « California Safe Drinking and Toxic Enforcement Act » de 1986 (Proposition 65), le gouverneur de Californie est tenu de publier une liste des substances reconnues par l'état de Californie comme étant cancérigènes ou pouvant être cause d'infertilité, et les commerces et industries sont tenus d'avertir les consommateurs des risques potentiels d'exposition à de telles substances.

En conséquence, les utilisateurs de l'appareil sont avertis que la combustion de gaz peut entraîner une faible exposition à certaines des substances nomenclaturées par l'état de Californie, dont le benzène, le formaldéhyde et la suie, principalement en raison d'une combustion incomplète de gaz naturel ou de gaz de pétrole liquéfié (LP). Les conduits d'évacuation ne doivent pas être obstrués et l'exposition à ces substances peut être réduite en assurant une évacuation d'air adéquate.

⚠ AVERTISSEMENT

Il peut se produire dans votre système une fuite de gaz créant une situation dangereuse. Il n'est pas toujours possible de détecter les fuites de gaz à l'odeur. Les fournisseurs de gaz recommandent l'achat et la pose d'un détecteur de gaz homologué UL. Poser et utiliser l'appareil conformément aux indications du fabricant.

Remarque : En raison des améliorations apportées régulièrement à ses produits, se réserve le droit de modifier les spécifications sans préavis. Pour de plus amples renseignements, consulter les instructions d'installation incluses avec votre appareil *avant* de choisir des meubles de rangement, de faire du découpage ou de commencer l'installation.

CONSERVER CES INSTRUCTIONS



Conseils pour le circuit d'évacuation

⚠ AVERTISSEMENT

Un conduit flexible, plastique ou non métallique suscite un risque d'incendie.

À FAIRE

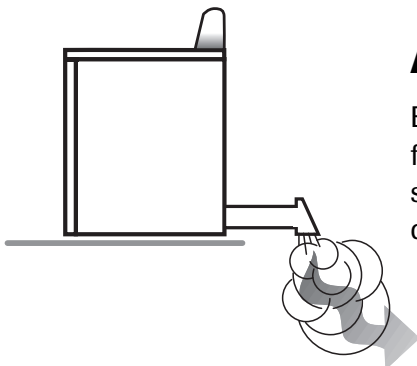
Lire les instructions d'installation et le guide d'utilisation et d'entretien.

À NE PAS FAIRE

Permettre à un circuit d'évacuation médiocre de ralentir le processus de séchage.

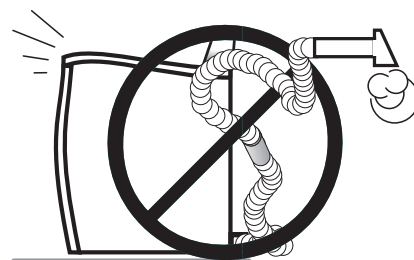
À FAIRE

Permettre à la sècheuse d'évacuer facilement l'air humide.



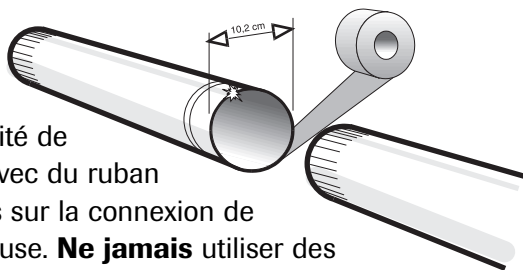
À NE PAS FAIRE

Entraver le fonctionnement de la sècheuse avec un circuit d'évacuation médiocre.



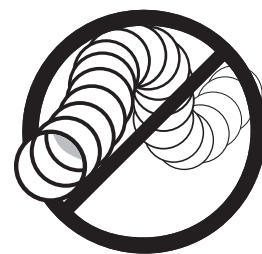
À FAIRE

Utiliser du conduit métallique rigide de 10,2 cm (4 pouces). Réaliser l'étanchéité de chaque jointure avec du ruban adhésif, y compris sur la connexion de sortie de la sècheuse. **Ne jamais** utiliser des vis, qui retiendraient des charpies.



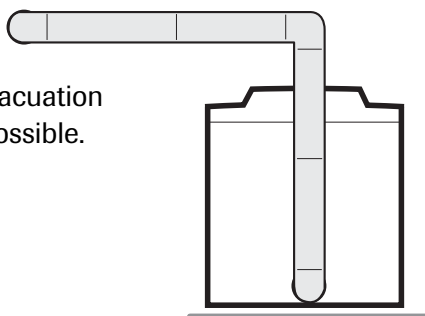
À NE PAS FAIRE

Utiliser un conduit d'évacuation de plastique ou de métal mince, ou un conduit flexible non métallique.



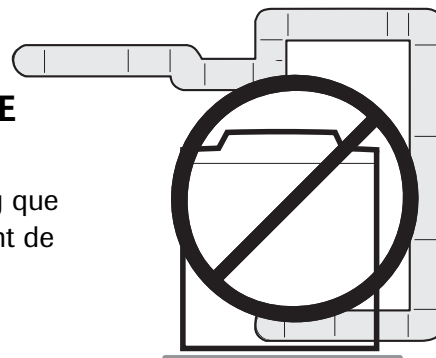
À FAIRE

Utiliser un circuit d'évacuation aussi rectiligne que possible.



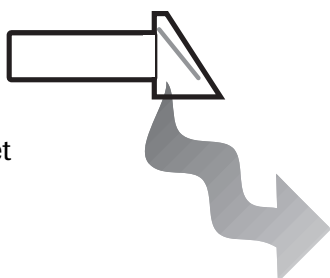
À NE PAS FAIRE

Utiliser un circuit d'évacuation plus long que nécessaire, comportant de nombreux coudes.



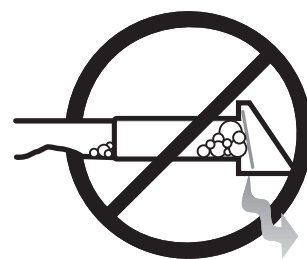
À FAIRE

Nettoyer tout vieux conduit avant d'installer la nouvelle sècheuse. Vérifier que le clapet peut manoeuvrer librement. Inspecter et nettoyer le circuit d'évacuation chaque année.



À NE PAS FAIRE

Tolérer un circuit d'évacuation comportant un composant ou conduit écrasé ou obstrué.

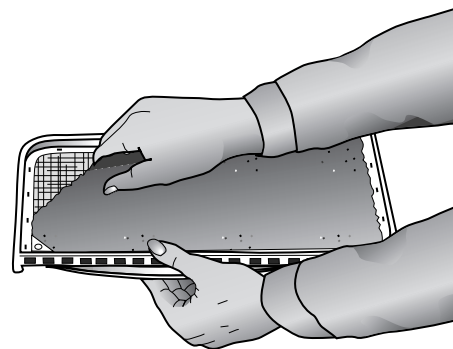




Conseils d'utilisation

Nettoyer le filtre à charpie

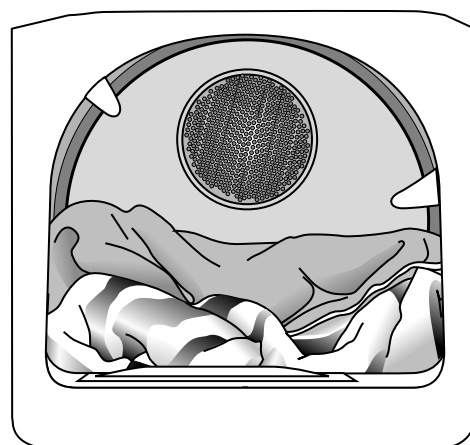
- Après chaque utilisation.
- Pour minimiser le temps de séchage.
- Pour utiliser l'énergie plus efficacement.



Remarque : Ne pas faire fonctionner la sécheuse lorsque le filtre à charpie n'est pas en place.

Charger convenablement la sécheuse

- Placer seulement le linge d'une charge de lavage en une seule fois dans la sécheuse.
- Éviter une petite charge, ou de mélanger des articles lourds et légers.
- Lorsqu'on doit faire sécher seulement un ou deux articles, ajouter quelques autres articles similaires pour optimiser le culbutage et l'efficacité du séchage.
- Lors du séchage d'un article volumineux ou de grande taille, comme couverture ou couvre-lit, il peut être nécessaire de repositionner la charge au cours de l'exécution du cycle pour obtenir un séchage uniforme.

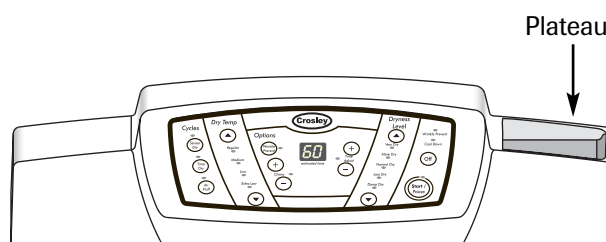


Ajouter une feuille d'assouplisseur de tissu (le cas échéant)

- Après le chargement de la sécheuse.
- Pour minimiser l'adhérence suscitée par les charges statiques.
- *Avant* que le linge de la charge soit devenu chaud. Ceci permettra d'éviter la formation par l'assouplisseur de taches d'aspect grasseux.
- Retirer de la sécheuse les vieilles feuilles d'assouplisseur utilisées, pour éviter la formation de taches d'assouplisseur d'aspect grasseux.

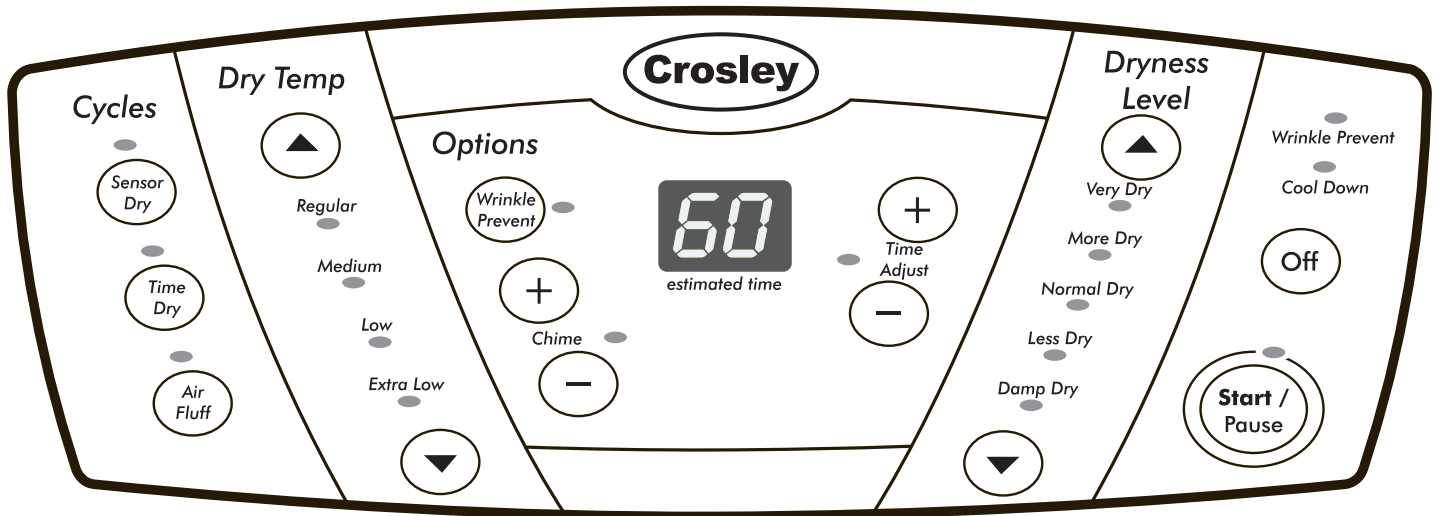
Plateau pour ustensiles variés

- Un plateau très pratique pour des petits articles se trouve sur le côté droit de la console. Il peut également accueillir des détachants en flacon pulvérisateur pour un accès plus facile.





Les commandes



ÉTAPE 1

Sélectionner un cycle

Appuyez sur la touche pour choisir le cycle désiré. Les témoins lumineux au-dessus la touche s'allument selon la touche qui est sélectionnée.

Sensor Dry (Séchage-capteur) – détecte automatiquement l'humidité du linge et arrête la sècheuse lorsque le niveau de séchage (très sec à humide) est obtenu. Ce cycle est recommandé pour la plupart des charges, y compris le linge délicat, infroissable ou en coton et les textiles robustes comme serviettes, literie et jeans.

Time Dry (Séchage minuté) – peut être sélectionné pour toute charge si Sensor Dry n'est pas utilisé. Appuyer sur la touche **Time Adjust** « + » ou « - » pour sélectionner le nombre de minutes voulu.

Air Fluff (Duvetage) - comprennent 20 minutes de culbutage avec de l'air à la température normale. S'utilise pour les articles qui ont besoin d'être aérés.

ÉTAPE 2

Sélectionner la température

Dry Temp (Température de séchage) – il existe quatre réglages de la température. Appuyez sur les flèches ▲ ou ▼ ou sélectionnez des températures **Regular** (Normale), **Medium** (Moyen), **Low** (Fragile) ou **Extra Low** (Basse supplémentaire).

Regular	Pour les cotons épais ou ceux dont l'étiquette indique « Sécher en sècheuse ».
Medium	Pour les tissus à pli permanent, les synthétiques, les cotons légers ou les articles dont l'étiquette indique « Sécher en sècheuse à température moyenne ».
Low	Pour les articles qui ne supportent pas la chaleur dont l'étiquette indique « Sécher en sècheuse à température douce » ou « Sécher en sècheuse à température tiède ».
Extra Low	Fournit la température sèche la plus basse de chauffage possible. La basse température supplémentaire est « inférieure que délicate ».



Les commandes

ÉTAPE 3

Sélectionner le niveau de séchage

Sélectionner le niveau de séchage – appuyer sur les flèches ▲ ou ▼ pour sélectionner le niveau de séchage voulu. Le niveau de séchage peut être établi sur un réglage précis ou entre deux réglages.

Very Dry (Très sec)	Utilisé pour sécher complètement des articles épais ou volumineux, comme serviettes et jeans.
More Dry (Plus sec)	Utilisé pour sécher complètement du linge.
Normal Dry (Normal)	Utilisé pour le séchage de la majorité du linge.
Less Dry (Moins sec)	Le réglage Less Dry convient mieux aux tissus légers ou bien pour laisser une certaine humidité dans les vêtements à la fin du cycle.
Damp Dry (Séchage humide)	Conçu pour sécher partiellement. Utilisé pour les articles à étendre à plat ou à suspendre.

ÉTAPE 4

Sélection des options (le cas échéant)

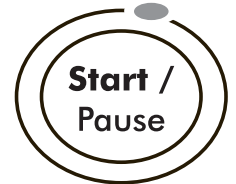
Signal sonore de fin de cycle – Quand le cycle est terminé, un signal sonore retentit. Avec l'option Wrinkle Prevent (Pressage permanent), le signal retentit par intermittence. Réglez le volume du signal ou arrêtez-le en appuyant sur la touche **Chime** (Signal sonore) « + » ou « - » boutons.

Wrinkle Prevent – environ 95 minutes de culbutage intermittent sans chaleur à la fin du cycle pour réduire le froissement.

ÉTAPE 5

Mettre la sècheuse en marche

Start/Pause (Mise en marche/Pause) – fermer la porte et appuyer sur **Start/Pause** pour mettre la sècheuse en marche.



Off (Arrêt) – En appuyant sur **Off**, le cycle est annulé et la sècheuse s'arrête.

Affichage de la durée estimée

- Après avoir appuyé sur Start/Pause, l'afficheur indique la durée estimée restante dans le cycle.



estimated time

Témoins lumineux

- Les témoins lumineux environ de des niveaux de séchage s'allument selon la touche qui est sélectionnée.
- Si l'option Wrinkle Prevent a été sélectionnée, le témoin wrinkle prevent s'allume pour indiquer que le linge est sec et que la sècheuse passe à la partie pressage permanent du cycle (voir Étape 4).
- Le témoin lumineux Cool Down (Refroidissement) s'allume lorsque la sècheuse passe à la partie refroidissement du cycle.

Conseils spéciaux

Pour le séchage d'articles spéciaux, procéder conformément aux instructions du fabricant ou de l'étiquette d'entretien. Si l'étiquette d'entretien n'est pas disponible, utiliser l'information qui suit.

Couvre-lits et couettes	<ul style="list-style-type: none"> • Procéder selon les instructions de l'étiquette d'entretien, ou utiliser le cycle Sensor Dry (Séchage-capteur). • Vérifier que les articles sont parfaitement secs avant de les utiliser ou de les ranger. • Un repositionnement peut être nécessaire pour un séchage uniforme.
Couvertures	<ul style="list-style-type: none"> • Pour obtenir la meilleure action de culbutage, utiliser le Sensor Dry et sécher une seule couverture à la fois. • Vérifier que les articles sont parfaitement secs avant de les utiliser ou de les ranger.
Rideaux et tentures	<ul style="list-style-type: none"> • Utiliser le cycle Sensor Dry et la Extra Low (Basse supplémentaire) température pour minimiser le froissement. • Sécher ces articles dans une petite charge pour obtenir le meilleur résultat, et retirer les articles de la sècheuse dès que possible.
Couches de textile	<ul style="list-style-type: none"> • Utiliser le Sensor Dry et la température de séchage Regular (Standard) pour obtenir des couches douces et moelleuses.
Articles garnis de duvet (anoraks, sacs de couchage, couvre-lits, etc.)	<ul style="list-style-type: none"> • Utiliser le cycle Sensor Dry et la Extra Low température. • Placer dans la sècheuse avec l'article une paire d'espadrilles propres pour optimiser le duvetage des articles garnis de duvet, etc. Ajouter quelques serviettes sèches pour réduire le temps de séchage et absorber l'humidité.
Caoutchouc mousse (endos de tapis, jouets en peluche, épauettes, etc.)	<ul style="list-style-type: none"> • Effectuer le séchage sans chaleur. Utiliser le cycle Air Fluff (Duvetage à l'air) (sans chaleur). • ⚠ AVERTISSEMENT – L'exposition des articles de caoutchouc à la chaleur leur fait subir des dommages et suscite un risque d'incendie.
Oreillers	<ul style="list-style-type: none"> • Utiliser le Sensor Dry. • Ajouter quelques serviettes sèches et une paire d'espadrilles propres pour optimiser l'action de culbutage et faciliter le duvetage de l'article. • Ne pas placer dans la sècheuse des oreillers de mousse ou de kapok.
Matière plastique (rideaux de douche, housses et nappes de mobilier d'extérieur, etc.)	<ul style="list-style-type: none"> • Utiliser le cycle de Time Dry (Séchage minuté) ou le cycle Air Fluff et la Extra Low température de séchage, selon les indications de l'étiquette d'entretien.

Éviter de placer dans la sècheuse

- Articles à base de fibre de verre (rideaux, tentures, etc.)
- Lainages (sauf si les indications de l'étiquette le permettent).
- Articles trempés d'huile végétale ou de cuisson. (Voir **AVERTISSEMENT! RISQUE D'INCENDIE**, page 13.)



Entretien et nettoyage

Entretien et nettoyage

Tableau de commande – Nettoyer avec un linge doux et humide. **Ne pas** utiliser un produit abrasif. **Ne pas** pulvériser le produit de nettoyage directement sur le tableau de commande.

Tambour de culbutage – Éliminer les taches – crayon de couleur, stylo, ou teinture pour textile (provenant d'articles neufs comme des serviettes ou jeans) avec un produit de nettoyage polyvalent. Soumettre ensuite au culbutage une charge de vieilles serviettes ou chiffons, pour éliminer tout résidu de produits tachants ou produit de nettoyage. Des taches peuvent demeurer

visibles après l'exécution de ces étapes, mais il n'y aura pas de transfert sur le linge des charges ultérieures.

Caisse – Éliminer les marques avec eau et savon.

Système d'évacuation de l'air – Inspecter et nettoyer le circuit au moins une fois par an pour optimiser la performance. Nettoyer plus fréquemment la bouche de décharge à l'extérieur pour qu'elle demeure en parfait état de fonctionnement. (Pour d'autre information, voir les Instructions d'installation.)

Remplacement de l'ampoule du tambour

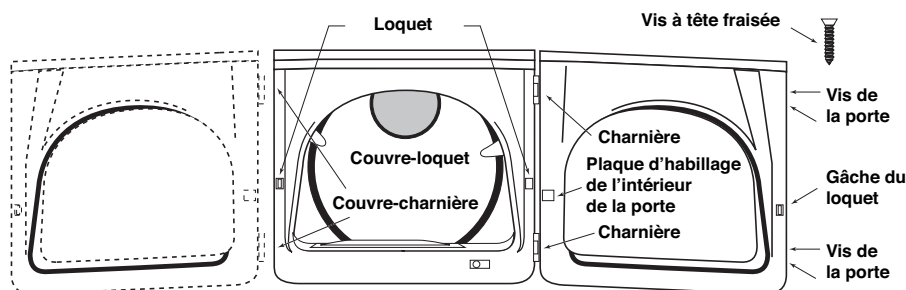
Remplacement de l'ampoule :

1. Débrancher ou déconnecter la sècheuse du circuit d'alimentation électrique.
2. Ouvrir la porte ; utiliser un tournevis Phillips pour enlever la vis fixant le cabochon à l'avant du tambour.
3. Enlever le cabochon – tirer vers le centre du tambour.
4. Faire pivoter l'ampoule dans le *sens antihoraire* pour la dégager de la douille.
5. Installer une ampoule de 120 volts (10 watts maximum - base de type candélabre).
6. Visser l'ampoule sur la douille – *sens horaire*.
7. Réinstaller le cabochon – engager les pattes d'accrochage en plastique, à l'avant du tambour de culbutage, au-dessous du corps d'ampoule.
8. Réinstaller la vis de fixation du cabochon.
9. Rebrancher la sècheuse.

Inversion du sens d'ouverture de la porte

Inversion du sens d'ouverture de la porte :

1. Enlever les garnitures des charnières, et les vis.
2. Tout en soutenant la porte, ôter les deux vis fixant les charnières sur la caisse.
3. Enlever la porte – soulever légèrement au niveau des charnières et tirer sur les pattes des charnières pour les dégager de leur logement.
4. Transférer les pièces suivantes du côté opposé de la porte : 2 charnières, 4 vis de fixation des charnières, 4 vis de fixation de la porte, butée de porte et vis, plaque de couverture interne et vis.
5. Fixer la porte sur le côté opposé de la caisse avec 2 vis à tête fraisée (voir ci-dessous). Placer d'abord les vis de la charnière inférieure ; ceci permettra d'aligner la porte et les charnières.
6. Installer les garnitures d'obturation des trous de charnière du côté opposé.





Recherche des pannes

La sècheuse ne fonctionne pas	<ul style="list-style-type: none"> • Vérifier que la porte est bien verrouillée. • Vérifier que le cordon d'alimentation est bien branché dans une prise de courant alimentée. • Examiner les disjoncteurs et fusibles du circuit d'alimentation. • Appuyer de nouveau sur la touche Start/Pause (Mise en marche/Pause) après une ouverture de la porte durant l'exécution du cycle.
Absence de chauffage	<ul style="list-style-type: none"> • Examiner les disjoncteurs et fusibles du circuit d'alimentation. • Sélectionner un cycle de séchage avec chaleur – pas duvetage à l'air. • Dans le cas d'une sècheuse à gaz, vérifier que le robinet de gaz est ouvert. • Nettoyer le filtre à charpie et le conduit d'évacuation. • La sècheuse exécute peut-être la phase de refroidissement du cycle.
Aucun séchage	<p>Contrôler tout ce qui a été mentionné ci-dessus; en plus,</p> <ul style="list-style-type: none"> • Vérifier que le clapet de la bouche de décharge à l'extérieur de la résidence peut manoeuvrer librement. • Rechercher une accumulation de charpie dans le circuit d'évacuation. Inspecter et nettoyer le circuit au moins chaque année. • Utiliser du conduit d'évacuation métallique rigide de 4 pouces. • Ne pas charger excessivement la sècheuse – une charge de lavage = une charge de séchage. • Trier le linge – séparer les articles lourds des articles légers. • Pour un séchage uniforme, il peut être nécessaire de repositionner les articles de grande taille ou volumineux, comme couvertures ou couvre-lits. • Vérifier le bon fonctionnement de la fonction d'essorage de la machine à laveuse, pour obtenir une extraction adéquate de l'eau. • Charge de linge trop petite pour un culbutage adéquat. Ajouter quelques serviettes.
Fonctionnement bruyant	<ul style="list-style-type: none"> • Rechercher dans la charge de linge des objets comme pièces de monnaie, boutons détachés, clous, etc. Enlever immédiatement ces articles. • Il est normal qu'on perçoive le son des manoeuvres de fonctionnement de l'électrovanne d'arrivée de gaz ou du contacteur de l'élément chauffant durant l'exécution du cycle. • Vérifier que la sècheuse est parfaitement d'aplomb, comme ceci est indiqué dans le manuel d'installation. • Vérifier que les pieds de caoutchouc sont installés sur les pieds de réglage de l'aplomb. • Il est normal que la sècheuse émette un son de bourdonnement – ceci est dû à la circulation rapide de l'air à travers le tambour de la sècheuse et le circuit d'évacuation.
Séchage non uniforme	<ul style="list-style-type: none"> • Les jointures, les poches et d'autres parties similaires du linge peuvent ne pas être parfaitement sèches alors que le reste du linge a déjà atteint le niveau d'assèchement sélectionné. Ceci est normal. Le cas échéant, sélectionner l'option Very Dry (Très sec). • Lorsqu'on sèche un article lourd en même temps qu'une charge d'articles légers, comme une serviette en présence de draps, il est possible que l'article lourd ne soit pas complètement sec lorsque le reste de la charge a atteint le niveau d'assèchement choisi. Pour obtenir les meilleurs résultats, séparer les articles lourds des articles légers.
Odeur perceptible	<ul style="list-style-type: none"> • Des odeurs imputables à peinture, vernis, produits de nettoyage énergiques, etc. peuvent s'introduire dans la sècheuse avec l'air de l'environnement. Ceci est normal – la sècheuse aspire l'air de la pièce, le chauffe, le fait circuler à travers le tambour, et le rejette à l'extérieur. Si des matières véhi-culant ces odeurs sont présentes dans l'air, aérer adéquatement la pièce avant d'utiliser la sècheuse.
Le « PF » apparaît dans l'affichage.	<ul style="list-style-type: none"> • Le dessiccateur a éprouvé une panne de courant. Pressez Off (Arrêt), relancent alors le cycle.
Le « 18 » apparaît dans l'affichage.	<ul style="list-style-type: none"> • Pressez Off, relancent alors le cycle.

Pour toute assistance technique, communiquer avec Service à la clientèle au Canada 1-800-688-2002.

Accessoires pour le séchage

Utilisation de la grille de séchage

La grille de séchage permet de faire sécher sans culbutage des articles tels que les chausseurs de sport, les chandails lavables, les jouets en peluche, les coussins, etc.

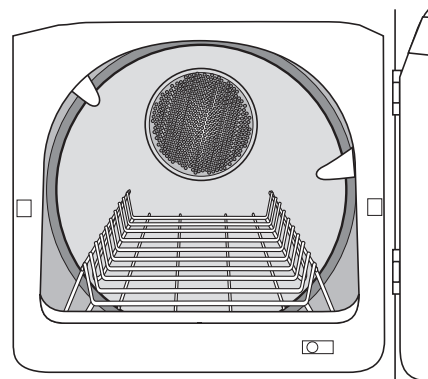
La grille reste immobile alors que le tambour tourne.
(Assurez-vous que rien ne dépasse et ne pend sur les côtés de la grille.)

Pour utiliser la grille :

- 1) Ouvrez la porte de la sécheuse.
- 2) Positionnez la grille de séchage dans le tambour en plaçant les deux tiges en saillie envers vous, ce qui bloquera la grille contre la surface avant du tambour. Les pattes reposeront sur les rebords avant et arrière du tambour.
- 3) Placez les articles mouillés sur la grille en laissant de l'espace entre eux pour permettre une bonne circulation de l'air.
- 4) Fermez la porte de la sécheuse.
- 5) Utilisez le cycle **Time Dry** (Séchage minuté) ou **Sensor Dry Regular Fabrics** (Séchage par palpeur, tissus ordinaires). La durée dépendra du degré d'humidité et du poids de l'article. Appuyez sur la touche de démarrage. Dans certains cas, il sera nécessaire de régler les commandes sur un nouveau cycle pour obtenir un séchage complet.

Pour retirer la grille :

- 1) Ouvrez la porte de la sécheuse.
- 2) Soulevez la grille et retirez-la.



ARTICLES SUGGÉRÉS

RÉGLAGES DE TEMPÉRATURE SUGGÉRÉS

Chandails lavables (mettez-les dans la bonne position à plat sur la grille)	Heat (Chaleur)
Peluches ou coussins (avec rembourrage decoton ou de fibre polyester)	Heat
Peluches* (avec rembourrage de mousse ou de caoutchouc)	Air Fluff (Duvetage)
*Coussins (avec rembourrage de mousse caoutchoutée)	Air Fluff
Chaussures de sport	Air Fluff ou Heat

AVERTISSEMENT

***AVERTISSEMENT :** Si des articles contenant du caoutchouc mousse, du plastique ou du caoutchouc sont séchés à la chaleur, ils sont susceptibles d'être endommagés et peuvent entraîner un risque d'incendie.

Remarque : Si l'accessoire MAL1000AXX n'est pas inclus avec la secheuse, prendre contact avec le revendeur Maytag ou composer 1-800-688-8408 Canada.



Garantie et service après-vente

Garantie

Garantie limitée d'un an - pièces et main-d'œuvre

Durant une période d'un (1) an à compter de la date de l'achat initial, toute pièce qui se révélerait défectueuse dans les conditions normales d'usage ménager sera réparée ou remplacée gratuitement.

Résidents du Canada

Les garanties ci-dessus couvrent un appareil installé au Canada seulement s'il a été agréé par les agences de test habilitées (vérification de la conformité à une norme nationale du Canada), sauf si l'appareil a été introduit au Canada à l'occasion d'un changement de résidence des États-Unis vers le Canada.

*Les garanties spécifiques formulées ci-dessus sont les **SEULES** que le fabricant accorde. Ces garanties vous confèrent des droits juridiques spécifiques et vous pouvez également jouir d'autres droits, variables d'un État à l'autre ou d'une province à l'autre.*

LE SEUL ET UNIQUE RECOURS DU CLIENT EN VERTU DE CETTE GARANTIE LIMITÉE EST LA RÉPARATION DU PRODUIT COMME DÉCRITE PRÉCÉDEMMENT. LES GARANTIES IMPLICITES, Y COMPRIS LES GARANTIES DE QUALITÉ MARCHANDE OU D'ADAPTATION À UN USAGE PARTICULIER, SONT LIMITÉES À UN AN OU À LA PÉRIODE LA PLUS COURTE PERMISE PAR LA LOI. MAYTAG CORPORATION NE SERA PAS TENUE RESPONSABLE DES DOMMAGES DIRECTS OU INDIRECTS. CERTAINS ÉTATS ET CERTAINES PROVINCES INTERDISSENT L'EXCLUSION ET LA LIMITATION DES DOMMAGES DIRECTS OU INDIRECTS AINSI QUE LES LIMITATIONS SUR LA DURÉE DES GARANTIES IMPLICITES DE QUALITÉ MARCHANDE OU D'ADAPTATION À UN USAGE PARTICULIER. IL EST DONC POSSIBLE QUE CES LIMITATIONS NE S'APPLIQUENT PAS À VOUS. CETTE GARANTIE VOUS CONFÈRE DES DROITS JURIDIQUES SPÉCIFIQUES ET IL SE PEUT QUE VOUS AYIEZ D'AUTRES DROITS, QUI VARIENT D'UN ÉTAT À L'AUTRE OU D'UNE PROVINCE À L'AUTRE.

Ne sont pas couverts par ces garanties

1. Les problèmes et dommages résultant des situations suivantes :
 - a. Mise en service, livraison ou entretien effectués incorrectement.
 - b. Toute réparation, modification, altération et tout réglage non autorisés par le fabricant ou par un prestataire de service après-vente agréé.
 - c. Mauvais emploi, emploi abusif, accidents, usage non raisonnable, ou catastrophe naturelle.
 - d. Courant électrique, tension, alimentation électrique ou en gaz incorrects.
 - e. Réglage incorrect d'une commande.
2. Les garanties ne peuvent être honorées si les numéros de série d'origine ont été enlevés, modifiés ou ne sont pas facilement lisibles.
3. Ampoules, filtres à eau et filtres à air.
4. Les produits achetés à des fins commerciales ou industrielles.
5. Les frais de dépannage ou de visite pour :
 - a. Correction d'erreurs de mise en service. Pour les produits nécessitant une ventilation, un conduit métallique rigide doit être utilisé.
 - b. Initiation de l'utilisateur à l'emploi de l'appareil.
 - c. Transport de l'appareil chez le réparateur et retour de l'appareil chez l'utilisateur.
6. Tout aliment perdu en raison de pannes du réfrigérateur ou du congélateur.
7. Dépenses de déplacement et de transport pour la réparation du produit dans des endroits éloignés.
8. Cette garantie n'est pas valide à l'extérieur des États-Unis et du Canada. Communiquez avec votre détaillant pour savoir si une autre garantie s'applique.
9. Dommages indirects ou accessoires subis par toute personne à la suite d'une quelconque violation des garanties. Certains États ou provinces ne permettent pas l'exclusion ou la limitation de responsabilité en ce qui concerne les dommages directs ou indirects. L'exclusion ci-dessus peut en conséquence ne pas s'appliquer à votre cas.

Si vous avez besoin d'aide

Consultez d'abord la section sur le dépannage dans le manuel d'utilisation et d'entretien, puis appelez le détaillant de qui vous avez acheté votre appareil ou le service à la clientèle de Maytag Services, LLC au 1-800-688-9900 aux États-Unis et au 1-800-688-2002 au Canada pour savoir où trouver un réparateur autorisé.

- Veuillez à conserver la facture d'achat pour justifier de la validité de la garantie. Pour d'autres renseignements concernant les responsabilités du propriétaire à l'égard du service sous garantie, voir le texte de la GARANTIE.
- Si le détaillant ou l'agence de service après-vente ne peut résoudre le problème, écrivez à Maytag Services, LLC à l'adresse suivante : CAIR® Center, P.O. Box 2370, Cleveland, TN 37320-2370 États-Unis, ou appelez au **1-800-688-9900 aux États-Unis ou au 1-800-688-2002 au Canada.**
- Les guides d'utilisation, les manuels de service et les renseignements sur les pièces sont disponibles auprès du service à la clientèle de Maytag Services, LLC.

Remarques : Veuillez à fournir l'information suivante lorsque vous communiquez avec nous au sujet d'un problème :

- a. Vos nom, adresse et numéro de téléphone;
- b. Numéro de modèle et numéro de série de l'appareil;
- c. Nom et adresse du détaillant avec la date l'appareil acheté;
- d. Description détaillée du problème observé;
- e. Preuve d'achat (facture de vente).



Secadora

Guía de uso y cuidado



Table des matières



Instrucciones de seguridad importantes 25-26



Sugerencias para el escape de la secadora..... 27



Sugerencias para la operación..... 28



Usar los controles 29-30



Sugerencias especiales para el lavado 31



Cuidado y limpieza..... 32



Localización y solución de averías 33



Accesorios de secado 34



Garantía y servicio última página



Instrucciones de seguridad importantes

Instalador: Deje este guía con el electrodoméstico.

Cliente: Lea y conserve este guía para futuras referencias. Conserve el recibo de compra y/o el cheque cancelado como comprobante de compra.

Número de modelo _____

Número de serie _____

Fecha de compra _____

Si desea obtener más información llame a:

Asistencia al Cliente
1-800-688-9900 EE.UU.
1-800-688-2002 Canada

En nuestro esfuerzo continuo para mejorar la calidad y el rendimiento de nuestros productos, puede ser necesario hacer cambios a este electrodoméstico sin necesidad de revisar esta guía.

Si desea obtener más información sobre el servicio, consulte la página última.

Ahora debe conocer las instrucciones de seguridad

Las advertencias y las instrucciones importantes de seguridad que aparecen en este guía no tienen el propósito de cubrir todas las condiciones posibles que podrían ocurrir. Debe usarse sentido común, precaución y cuidado cuando se instale, se presente mantenimiento o se opere el electrodoméstico.

Siempre comuníquese con el fabricante para los asuntos relacionados con problemas o condiciones que no entienda.

Reconozca los símbolos de seguridad, advertencias, etiquetas

ADVERTENCIA

ADVERTENCIA – Peligros o prácticas no seguras que **PODRÍAN** causar lesión personal grave o mortal.

PRECAUCIÓN

PRECAUCIÓN – Peligros o prácticas no seguras que **PODRÍAN** causar lesión personal menos grave.

ADVERTENCIA

Por su seguridad, debe seguir las instrucciones de este guía para minimizar el riesgo de incendio o explosión o para evitar daños materiales, lesiones personales o la muerte.

- **No** almacene ni use gasolina u otros vapores y líquidos inflamables cerca de este o de cualquier otro electrodoméstico.

EN CASO DE QUE PERCIBA OLOR A GAS:

- **No** trate de encender ningún electrodoméstico.
- **No** toque ningún interruptor eléctrico.
- **No** use ningún teléfono en el edificio.
- Pida a todos los ocupantes de la habitación, el edificio o el área que se alejen de ella.
- Llame inmediatamente a la compañía abastecedora de gas desde el teléfono de un vecino. Siga las instrucciones de la compañía.
- Si no puede comunicarse con la compañía de gas, llame al departamento de bomberos.

La instalación y el servicio de este electrodoméstico deben llevarse a cabo por un instalador, centro de servicio calificados o por la compañía de gas.

¡ADVERTENCIA! PELIGRO DE INCENDIO

No coloque dentro de la secadora artículos que se hayan manchado o empapado con aceite vegetal o de cocina. Aún después de lavarse, estos artículos pueden contener cantidades significativas de estos aceites. El aceite restante puede encenderse espontáneamente. El potencial de ignición espontánea aumenta cuando los artículos que contienen aceite vegetal o de cocina están expuestos al calor. Las fuentes de calor, tales como su secadora, pueden calentar estos artículos, permitiendo que ocurra una reacción por oxidación en el aceite. La oxidación crea calor. Si este calor no puede escapar, los artículos pueden llegar a calentarse lo suficiente como para prenderse. El amontonar, apilar o guardar esta clase de artículos puede impedir que el calor escape creando un peligro de incendio.

Todas las telas lavadas y sin lavar que contengan aceite vegetal o de cocina pueden ser peligrosas. El lavar estos artículos en agua caliente con detergente adicional reducirá, pero no eliminará el peligro. Siempre use el ciclo de “enfriamiento” en estos artículos para reducir la temperatura de los mismos. **Nunca** retire estos artículos de la secadora mientras estén calientes ni interrumpa el ciclo de secado hasta que los artículos se hayan hecho pasar por el ciclo de “enfriamiento”. **Nunca** amontone ni apile estos artículos cuando están calientes.



Instrucciones de seguridad importantes

⚠️ ADVERTENCIA

Para reducir el riesgo de incendio, explosión, descarga eléctrica o lesiones personales al usar su secadora, siga las precauciones básicas de seguridad, entre ellas las siguientes:

1. Lea todas las instrucciones *antes* de usar el aparato.
2. Para evitar la posibilidad de incendio o de explosión:
 - **No** seque artículos que han sido previamente lavados o sumergidos en gasolina, o limpiados o desmanchados con ella, solventes de lavado en seco, u otras sustancias inflamables o explosivas y que despiden vapores que podrían encenderse o explotar. Todo material en el que ha usado un solvente de limpieza, o el cual se ha saturado con líquidos o sólidos inflamables, **no** debe colocarse en la secadora hasta que todo rastro de estos líquidos o sólidos inflamables y sus vapores se hayan quitado. Hay muchos artículos altamente inflamables que se usan en los hogares, tales como: acetona, alcohol desnaturalizado, gasolina, parafina, algunos limpiadores domésticos, algunos quitamanchas, aguarrás, ceras y quita cera.
 - Los artículos que contengan espuma de goma (puede estar marcado como espuma de látex) o materiales parecidos a la goma de similar textura **no** deben secarse en un ajuste de calor. Los materiales de espuma de goma, cuando se calientan, pueden producir fuego por combustión espontánea bajo ciertas circunstancias.
3. **No** permita que los niños jueguen sobre el aparato o dentro de él. Es necesario supervisar de cerca a los niños cuando se use el aparato cerca de ellos.
4. *antes* de retirar el aparato de servicio o de desechar, quite la puerta al compartimiento de sequía.
5. **No** introduzca las manos dentro del aparato si el cilindro se está moviendo.
6. **No** instale ni guarde este aparato donde va a estar expuesto a la intemperie.
7. **No** altere los controles.
8. **No** repare ni reemplace ninguna pieza del aparato o intente darle ninguna clase de servicio. Las reparaciones y el servicio deben llevarse a cabo por personal calificado de servicio.
9. **No** use suavizante de telas ni otros productos para eliminar la estática a menos que el fabricante del suavizante o del producto lo recomiende para usarse en secadoras.
10. Limpie el filtro de pelusa antes o después de cada carga.

11. Mantenga el área alrededor de la abertura del escape y las áreas circundantes libres de acumulaciones de pelusa, polvo y suciedad.
12. El interior de la secadora y del ducto de escape debe limpiarse periódicamente por personal calificado de servicio.
13. Este aparato debe estar apropiadamente conectado a tierra. **Nunca** conecte este aparato a una fuente de electricidad que no esté apropiadamente conectada a tierra y de acuerdo a las regulaciones locales y nacionales (vea las instrucciones de instalación).
14. **No** se siente ni se pare en la parte superior de la secadora.

Mesures de sécurité importantes

La Ley sobre Sustancias Tóxicas y Agua Potable Segura de California, de 1986 (Proposición 65), estipula que el gobernador de California debe publicar una lista de sustancias que el Estado de California sabe que pueden causar cáncer o daños en el sistema reproductor, y requiere que las empresas adviertan a sus consumidores sobre las exposiciones potenciales a tales sustancias.

Los usuarios de este dispositivo quedan advertidos por medio de este documento que la combustión de gas puede dar como resultado una exposición a bajo nivel de algunas de las sustancias listadas, entre ellas benceno, formaldehído y negro de humo (hollín), debido principalmente a la combustión incompleta del gas natural o petróleo líquido (LP). Los conductos de descarga deben mantenerse libres de obstrucciones, y una secadora con un sistema de descarga adecuadamente instalado minimizará la exposición a estas sustancias.

⚠️ ADVERTENCIA

Podían ocurrir fugas de gas en el sistema y causar una situación peligrosa. Es posible que las fugas de gas no se detecten con el olfato solamente. Los proveedores de gas recomiendan que compre e instale un detector de gas aprobado por UL. Instálelo y úselo de acuerdo con las instrucciones del fabricante.

Nota: Debido a la mejora continua de sus productos, se reserva el derecho de cambiar las especificaciones sin previo aviso. Si desea ver los detalles completos, consulte las instrucciones de instalación que vienen con su producto *antes* de seleccionar el tipo de ebanistería, marcar las aberturas o comenzar la instalación.

CONSERVE ESTAS INSTRUCCIONES



Sugerencias para el escape de la secadora

⚠ ADVERTENCIA

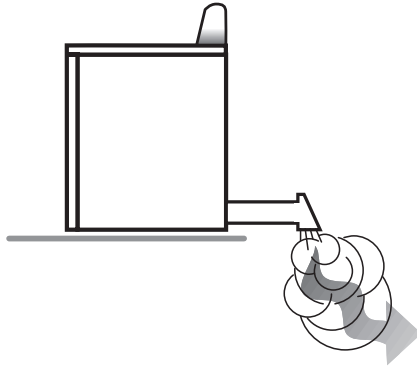
Los conductos flexibles de plástico o no metálicos presentan un peligro potencial de incendio.

CORRECTO

Lea las instrucciones de instalación y la Guía de uso y cuidado.

CORRECTO

Asegúrese de que el aire salga fácilmente por el escape de la secadora.

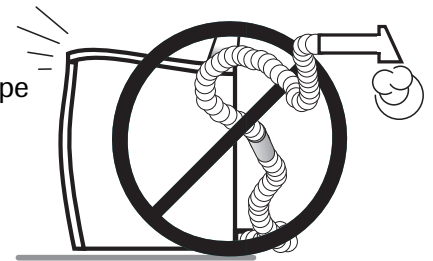


INCORRECTO

Permitir que un sistema de escape deficiente prolongue el tiempo de secado.

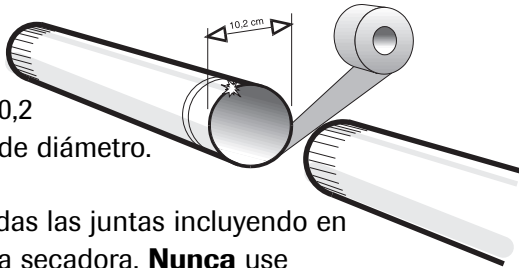
INCORRECTO

Restringir su secadora con un sistema de escape deficiente.



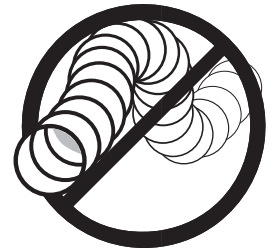
CORRECTO

Use un conducto de metal rígido de 10,2 cm (4 pulgadas) de diámetro. Coloque cinta obturadora en todas las juntas incluyendo en la conexión con la secadora. **Nunca** use tornillos que atrapen pelusas.



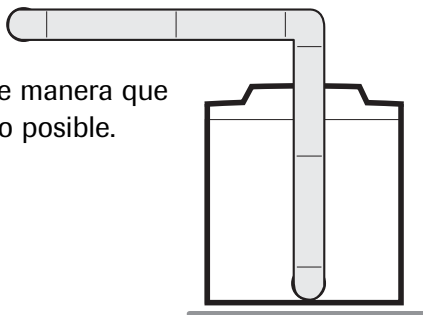
INCORRECTO

Usar conductos flexibles de plástico, aluminio delgado o no metálicos.



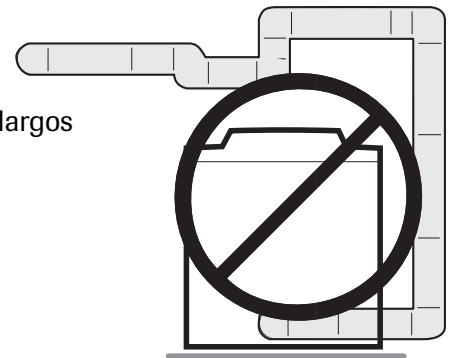
CORRECTO

Instale el conducto de manera que quede lo más derecho posible.



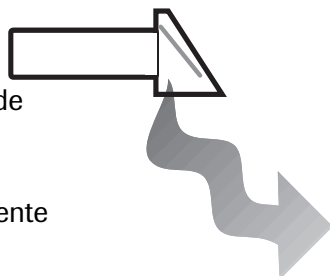
INCORRECTO

Usar conductos más largos que lo necesario con muchos codos.



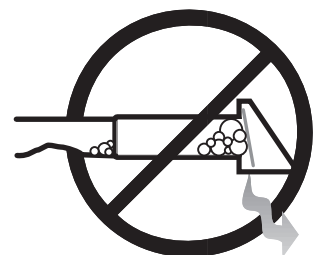
Do

Limpie todos los conductos antiguos *antes* de instalar su nueva secadora. Asegúrese de que la aleta de ventilación se abra y se cierre libremente. Inspeccione y limpie anualmente el sistema de escape.



INCORRECTO

Aplastamiento u obstrucción de los conductos y del respiradero.

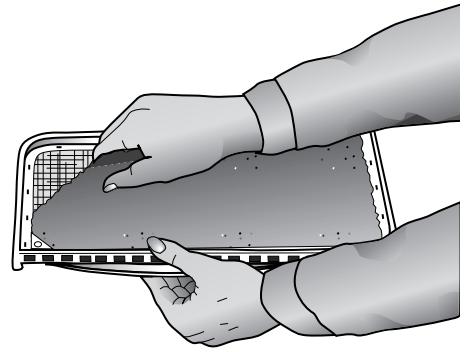




Sugerencias para la operación

Limpie el filtro de las pelusas

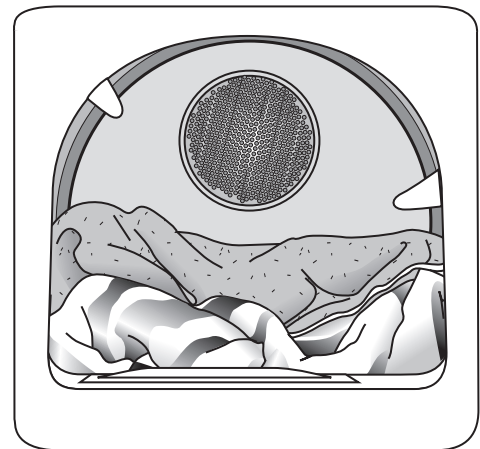
- Después de cada secado.
- Para acortar el tiempo de secado.
- Para que la secadora funcione con un consumo más eficiente de energía.



Nota: Nunca haga funcionar la secadora sin tener instalado el filtro de pelusas.

Cargue la ropa en la secadora en forma adecuada

- Colocando en la secadora solamente una carga de ropa lavada a la vez.
- Evitando colocar artículos muy pequeños o mezclar ropas muy pesadas con ropas livianas.
- Cuando necesite secar solo uno o dos artículos agregue unos pocos artículos similares para mejorar la circulación y la eficiencia del secado.
- Cuando seque artículos grandes y voluminosos tales como frazadas o cobertores, puede que sea necesario volver a distribuir la ropa durante el ciclo para asegurar un secado uniforme.

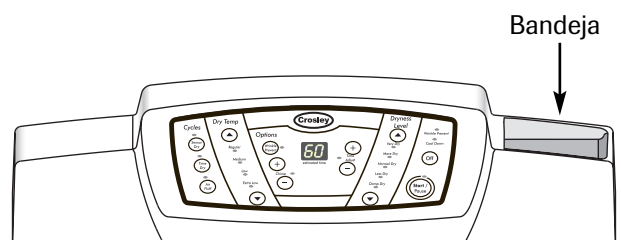


Agregue una hoja de suavizador de telas (si lo desea)

- Después de colocar la ropa en la secadora.
- Para controlar la estática.
- Antes de que la ropa comience a calentarse. Esto evita las manchas grasientas que deja el suavizador.
- Retire cualquier hoja de suavizador usada de la secadora para evitar que el suavizador deje manchas grasientas.

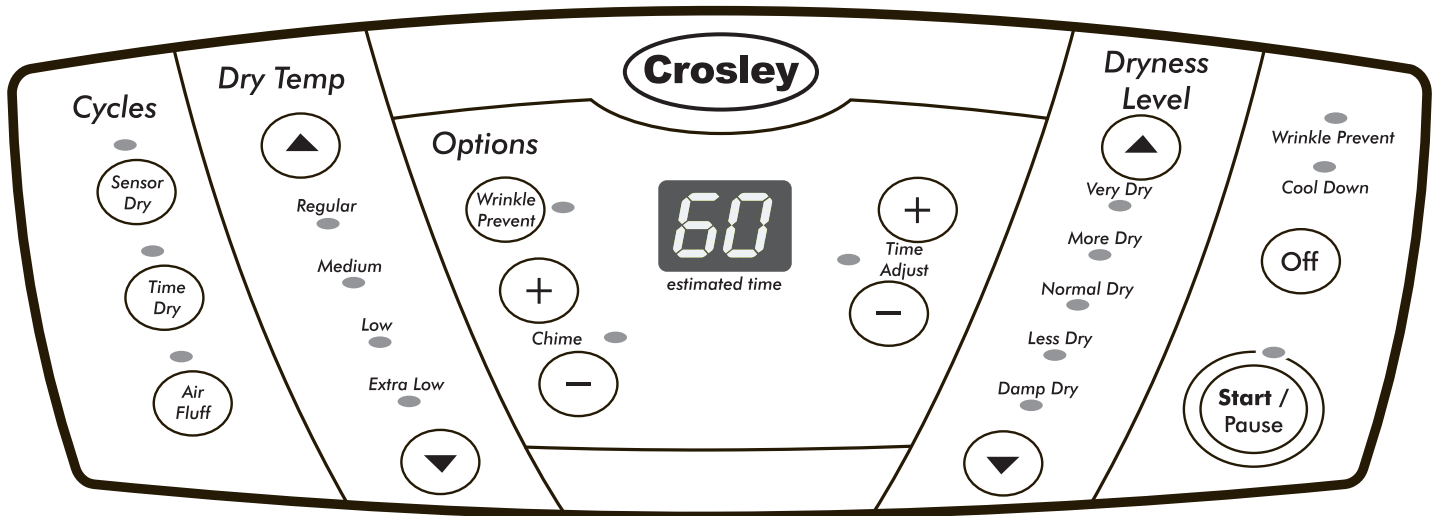
Bandeja para artículos misceláneos

- Se ha instalado una bandeja conveniente para artículos pequeños en el lado derecho de la consola. La misma también puede acomodar botellas de rociadores de tratamiento de manchas para facilitar su acceso.





Usar los controles



PASO 1

Seleccione el ciclo

Oprima la tecla para seleccionar la ciclo deseado. Las luces indicadoras situadas sobre la tecla se iluminarán cuando se oprima la tecla correspondiente.

‘Sensor Dry’ (Sensor de secado) – detecta automáticamente la humedad en la ropa y apaga la secadora cuando se ha alcanzado el nivel de secado seleccionado (Muy seco a Secado húmedo). Este ciclo se recomienda para la mayoría de la ropa incluyendo ropas delicadas, telas inarrugables y de algodón/fuertes como toallas, ropa de cama y vaqueros.

‘Time Dry’ (Tiempo de secado) – puede ser seleccionado para cualquier tipo de ropa si es que no se usa ‘Sensor Dry’. Oprima la tecla **Time Adjust ‘+’** or **‘-’** para seleccionar el número de minutos deseado.

‘Air Fluff’ (Aire frío) - 20 minutos de agitación usando aire de temperatura regular. Se usa para artículos que necesitan refrescarse.

PASO 2

Seleccione la temperatura

‘Dry Temp’ (Temperatura de secado) – existen cuatro ajustes para la temperatura. Oprima la tecla **‘▲’** o **‘▼’** para seleccionar temperatura **Regular** (Regular), **Medium** (Media), **Low** (Baja) o **Extra Low** (Muy baja).

‘Regular’	Para los cottons robustos o ésos etiquetó “Caída seca.”
‘Medium’	Para la prensa permanente, los sintéticos, los cottons ligeros o los items etiquetaron “Caída el media seco.”
‘Low’	Para los items sensibles del calor etiquetó “Caída bajo seco” o la “caída seca se calienta.”
‘Extra Low’	Proporciona a la temperatura seca calentado lo más bajo posible.



Usar los controles

PASO 3

Selección del nivel de secado

Selección del nivel de secado – oprima la tecla ‘▲’ o ‘▼’ para seleccionar el nivel de secado deseado. El nivel de secado puede ser establecido en un ajuste exacto o entre dos ajustes.

‘Very Dry’ (Muy seco)	Se usa para secar completamente artículos gruesos o voluminosos, incluyendo toallas y vaqueros.
‘More Dry’ (Más seco)	Se usa para secar completamente la ropa.
‘Normal’ (Normal)	Se usa para secar la mayoría de la ropa de lavado.
‘Less Dry’ (Menos seco)	Se usa para las telas más livianas o para dejar algo de humedad en la ropa al finalizar el ciclo.
‘Damp Dry’ (Secado húmedo)	Se usa para secar parcialmente la ropa. Se recomienda para los artículos que deben secarse sobre una superficie plana o que deben colgarse para secarlos.

PASO 4

Elija las opciones (si lo desea)

Señal de finalización del ciclo - Cuando el ciclo haya terminado, escuchará una señal sonora. Cuando se seleccione la opción ‘Wrinkle Prevent’ (Prevención de arrugas), la señal sonará intermitentemente. Ajuste el volumen de la señal sonora o apáguela oprimiendo la tecla ‘Chime’ (Avisador) ‘+’ o ‘-’.

Wrinkle Prevent – ofrece aproximadamente 95 minutos de acción giratoria intermitente con aire no calentado al final del ciclo para reducir las arrugas.

PASO 5

Arrancar la secadora

‘Start/Pause’ (Puesta en marcha/Pausa) – cierre la puerta y oprima la tecla ‘Start/Pause’ para poner en marcha la secadora.



Off (Apagado) - Si se oprime ‘Off’, el ciclo se cancela y la secadora se detiene.

Despliegue del tiempo estimado

- Después de oprimir ‘Start/Pause’, este indicador mostrará el tiempo estimado restante del ciclo.



estimated time

Luces indicadoras

- Las luces indicadoras situadas cerca los niveles de secado se iluminarán cuando se oprima la tecla correspondiente.
- Si se ha seleccionado la opción ‘Wrinkle Prevent’ la luz de ‘Wrinkle Prevent’ se iluminará para indicar que la ropa está seca y que la secadora ha pasado a la parte de planchado permanente del ciclo (vera Paso 4).
- La luz indicadora ‘Cool Down’ (Enfriamiento) se iluminará cuando la secadora pasa a la parte de enfriamiento del ciclo.



Sugerencias especiales para el lavado

Por favor siga la etiqueta de cuidado o las instrucciones del fabricante para secar artículos especiales. Si las instrucciones de la etiqueta de cuidado no están disponibles, use la siguiente información como una guía.

Cobertores y cobijas	<ul style="list-style-type: none"> • Siga las instrucciones de la etiqueta de cuidado o seque usando el ciclo de 'Sensor Dry' (Sensor de secado) y temperatura 'Regular'. • Asegúrese de que el artículo esté completamente seco <i>antes</i> de usarlo o guardarlo. • Puede que necesiten ser cambiados de posición para asegurar un secado uniforme.
Frazadas	<ul style="list-style-type: none"> • Use 'Sensor Dry' y seque de una frazada a la vez para una mejor acción del tambor. • Asegúrese de que el artículo esté completamente seco <i>antes</i> de usarlo o guardarlo.
Cortinajes y cortinas	<ul style="list-style-type: none"> • Use el Ciclo 'Sensor Dry' y el ajuste de temperatura 'Extra Low' (Muy baja) para ayudar a eliminar las arrugas. • Seque estos artículos en cargas pequeñas para mejores resultados y retírelos tan pronto como sea posible.
Pañales de tela	<ul style="list-style-type: none"> • Use 'Sensor Dry' y el ajuste de temperatura 'Regular' para pañales suaves y esponjosos.
Artículos rellenos con plumas (chaquetas, sacos de dormir, cobertores, etc.)	<ul style="list-style-type: none"> • Use 'Sensor Dry' y el ajuste de temperatura 'Extra Low'. • Coloque un par limpio de zapatillas de tenis en la secadora con el artículo para esponjar los cobertores rellenos de plumas, etc. Si se agrega un par de toallas secas se acorta el tiempo de secado y se absorbe la humedad.
Goma de espuma (forros de las alfombras, muñecos de peluche, hombreras, etc.)	<ul style="list-style-type: none"> • No seque en un ajuste con calor. Use el ciclo especial 'Air Fluff' (Aire frío) (sin calor). • ⚠ ADVERTENCIA – Si se seca un artículo de goma con calor lo puede dañar o puede constituir un peligro de incendio.
Almohadas	<ul style="list-style-type: none"> • Use 'Sensor Dry'. • Agregue un par de toallas secas y un par de zapatillas de tenis limpias para ayudar la acción del tambor y para esponjar el artículo. • No seque en la secadora almohadas capoc o de espuma.
Plásticos (cortinas de duchas, fundas de muebles de patio, etc.)	<ul style="list-style-type: none"> • Use 'Air Fluff' o 'Time Dry' (Tiempo de secado) y el ajuste de temperatura 'Extra Low' dependiendo de las instrucciones de la etiqueta de cuidado.

Evite secar en la secadora

- Artículos de fibra de vidrio (cortinas, cortinajes, etc.)
- Artículos de lana a menos que se recomiende en la etiqueta.
- Artículos empapados con aceite vegetal o aceite de cocina. (Ver *¡ADVERTENCIA! PELIGRO DE INCENDIO* en la página 25)



Cuidado y limpieza

Cuidado y limpieza

Panel de control – limpie con un paño suave y húmedo. **No** use sustancias abrasivas. **No** rocíe el limpiador directamente en el panel.

Tambor – quite cualquier mancha tales como crayón, tinta de pluma o tintas de telas (provenientes de artículos nuevos tales como toallas o vaqueros) con un limpiador para todo propósito. Luego coloque en el tambor toallas viejas o estropajos para quitar cualquier resto de manchas o de sustancias de limpieza. Una vez que se hayan realizado estos pasos, puede que las

manchas todavía sean visibles, pero no se transferirán a las cargas de ropa subsiguientes.

Gabinete – limpie cualquier marca que tenga con agua y jabón.

Sistema de escape de la secadora – debe ser inspeccionado y limpiado una vez al año para mantener un rendimiento óptimo. La campana de escape exterior debe ser limpiada más frecuentemente para asegurar funcionamiento adecuado. (Consulte las Instrucciones de Instalación para obtener mayor información.

Reemplazo de la luz del tambor

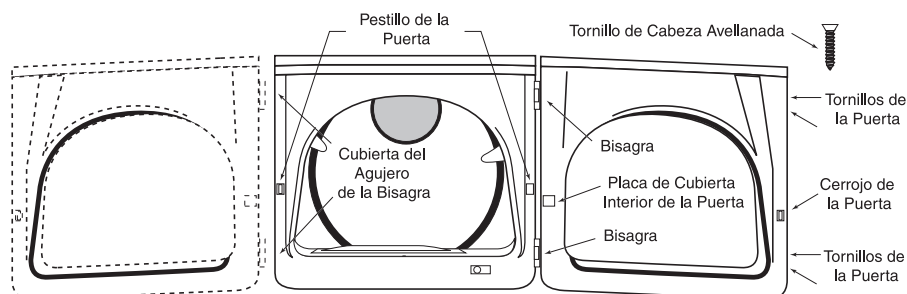
Instrucciones para reemplazar la bombilla:

1. Desenchufe o desconecte la secadora del suministro de energía eléctrica.
2. Abra la puerta y use un destornillador Phillips para sacar el tornillo que sujeta el lente a la parte delantera del tambor.
3. Saque la cubierta del lente tirando de la cubierta hacia el centro del tambor.
4. Gire la bombilla a la *izquierda* para sacarla del casquillo.
5. Reemplace la bombilla con una bombilla de 120 voltios, 10 watts máximo, con base de candelabro.
6. Gire la bombilla a la *derecha* en el casquillo.
7. Vuelva a colocar la cubierta del lente enganchando las lengüetas de plástico en la parte delantera del tambor debajo de la caja de la luz.
8. Vuelva a instalar el tornillo en el agujero de la cubierta del lente.
9. Vuelva a enchufar la secadora en la fuente de alimentación.

Inversión de la puerta

Instrucciones para invertir la puerta de la secadora:

1. Saque las cubiertas de los agujeros de las bisagra y los tornillos.
2. Mientras sujeta la puerta, saque dos tornillos de las bisagras que aseguran las bisagras al gabinete.
3. Saque la puerta levantándola ligeramente de las bisagras y tirando las lengüetas de la bisagra hacia fuera de las ranuras de las bisagras.
4. Mueva las siguientes piezas al otro lado de la puerta: 2 bisagras y 4 tornillos de bisagras, 4 tornillos de la
5. Instale la puerta en el lado opuesto del gabinete usando los 2 tornillos de cabeza avellanada de la bisagra. (Ver a conti-nuación). Atornille primero el tornillo inferior de la bisagra. Esto ayudará a alinear la puerta y las bisagras.
6. Vuelva a colocar las tapas de los agujeros de la bisagra en el lado opuesto.





Localización y solución de averías

No funciona	<ul style="list-style-type: none"> • Asegúrese de que la puerta esté bien cerrada. • Asegúrese de que el cordón eléctrico esté enchufado en un tomacorriente eléctrico con corriente. • Verifique el disyuntor y los fusibles del hogar. • Oprima la teclas 'Start/Pause' (Puesta en marcha/Pausa) nuevamente si la puerta se abre durante el ciclo.
No calienta	<ul style="list-style-type: none"> • Verifique el disyuntor y los fusibles del hogar. • Seleccione un ajuste de calor, no seleccione 'Air Fluff' (Aire frío). • En una secadora de gas, verifique que el gas esté abierto. • Limpie el filtro de pelusas y el conducto de escape. • La secadora puede haber pasado a la porción de enfriamiento del ciclo.
No seca	<p>Verifique todo lo anterior, además de lo siguiente...</p> <ul style="list-style-type: none"> • Asegúrese de que la campana de escape en el exterior de la casa se pueda abrir y cerrar libremente. • Verifique el sistema de escape para ver si hay acumulación de pelusas. El conducto debe ser inspeccionado y limpiado anualmente. • Use un conducto de metal rígido de 4". • No sobrecargue. 1 carga de ropa lavada = 1 carga de la secadora. • Separe los artículos pesados de los artículos livianos. • Los artículos grandes, voluminosos como cobertores o cubrecamas pueden requerir redistribución para asegurar un secado uniforme. • Verifique que la lavadora esté desaguando en forma adecuada para extraer suficiente agua de la carga. • La carga de ropa es demasiada pequeña para girar en forma debida. Agregue unas pocas toallas.
Es ruidosa	<ul style="list-style-type: none"> • Verifique la carga de ropa para ver si hay objetos tales como monedas, botones sueltos, clavos, etc. Retírelos inmediatamente. • Es normal oír la válvula de gas de la secadora o el ciclo del elemento calefactor encenderse y apagarse durante el ciclo de secado. • Asegúrese de que la secadora esté bien nivelada como se describe en el manual de instalación. • Asegúrese de que las patas de goma hayan sido instaladas en los tornillos niveladores. • Es normal que la secadora haga un ruido debido a la alta velocidad del aire que se mueve a través del tambor de la secadora y del sistema de escape.
No seca en forma pareja uniforme	<ul style="list-style-type: none"> • Las costuras, bolsillos y otras áreas similares pueden no estar completamente secas cuando el resto de la carga ha alcanzado el nivel de secado seleccionado. Esto es normal. Seleccione el ajuste 'Very Dry' (Muy seco) si se desea. • Si un artículo pesado se seca en una carga de artículos livianos tales como una toalla con sábanas, es posible que el artículo pesado no esté completamente seco cuando el resto de la ropa ha llegado al nivel de secado seleccionado. Separe los artículos pesados de los livianos para obtener los mejores resultados de secado.
Tiene olor	<ul style="list-style-type: none"> • Los olores domésticos tales como olor de pintura, barnices, limpiadores fuertes, etc. pueden penetrar en la secadora con el aire ambiente. Esto es normal pues la secadora extrae el aire de la habitación, lo calienta, lo pasa a través del tambor y lo hace salir al exterior. Cuando estos olores están presentes en el aire, ventile completamente la habitación <i>antes</i> de usar la secadora.
El "PF" aparece en la visualización	<ul style="list-style-type: none"> • El secador ha experimentado un apagón. Presione 'Off' (Apagado), el relanzer el ciclo.
El "18" aparece en la visualización	<ul style="list-style-type: none"> • Presione 'Off', el relanzer el ciclo.

Si desea recibir más asistencia comuníquese con, Departamento de asistencia al cliente de : 1-800-688-9900 en EE.UU.; o 1-800-688-2002 en Canadá

Accesorios de secado

Uso de la rejilla de secado

La rejilla de secado le permite secar artículos que no desee que giren en el tambor, como por ejemplo zapatos deportivos, suéteres lavables, peluches, almohadas, etc.

La rejilla permanece estacionaria mientras el tambor gira. **(Asegúrese de que nada cuelgue por fuera de los bordes de la rejilla.)**

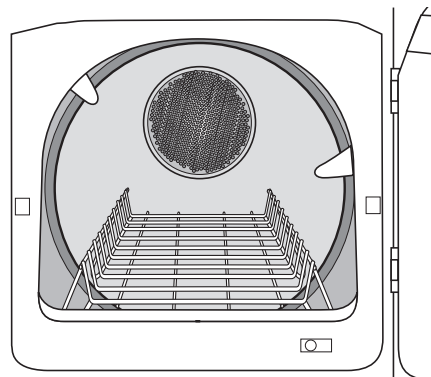
Para usar la rejilla:

- 1) Abra la puerta de la secadora.
- 2) Coloque la rejilla de secado en el tambor con los dos alambres de extensión hacia usted. Esos alambres soportarán la rejilla sobre la superficie delantera del tambor. Las patas descansarán en el borde delantero y en la parte trasera del tambor.
- 3) Coloque los artículos mojados en la rejilla, dejando espacio entre ellos para que el aire pueda llegar a todas las superficies.
- 4) Cierre la puerta de la secadora.
- 5) Use el ciclo de **'Time Dry'** (Secado por tiempo) o el ciclo de **'Sensor Dry Regular Fabrics'** (Secado con sensor de telas normales). Seleccione la duración del ciclo de acuerdo con la humedad y peso del artículo. Oprima el botón de encendido. Puede que sea necesario restablecer los controles si se requiere un tiempo de secado más largo.

Para retirar la rejilla:

- 1) Abra la puerta de la secadora.
- 2) Levante la rejilla derecho hacia arriba y sáquela.

Nota: Si el juego de accesorios MAL1000AXX no fue incluido con su secadora, póngase en contacto con su distribuidor Maytag o llame al 1-877-232-6771 EE.UU. o 1-800-688-8408 Canadá.



ARTICULOS SUGERIDOS

AJUSTES DE SUGERIDOS TEMPERATURA

Suéteres lavables (regrese su forma y extiéndalo sobre la rejilla)	'Heat' Calor
Peluches o almohadas (reellenos de fibra de algodón o poliéster)	'Heat'
Peluches* (reellenos de goma o de espuma)	'Air Fluff' (Aire frío)
Almohadas de gomaespuma*	'Air Fluff'
Zapatos deportivos	'Air Fluff' o 'Heat'

ADVERTENCIA

***ADVERTENCIA:** Cuando seque goma espuma, plástico o goma con calor, es posible que sufran daños y podrían causar riesgos de incendio.



Garantía y servicio

Garantía

Garantía limitada de un año –

Piezas y mano de obra

Durante **un (1) año** a partir de la fecha original de compra al detal, se reparará o reemplazará gratuitamente cualquier pieza que falle durante el uso normal en el hogar.

Residentes Canadienses

Las garantías anteriores cubren solamente aquellos electrodomésticos instalados en Canadá que han sido certificados o aprobados por las agencias de prueba correspondientes para cumplimiento con la Norma Nacional de Canadá a menos que el electrodoméstico haya sido traído a Canadá desde los EE.UU. debido a un cambio de residencia.

*Las garantías específicas expresadas anteriormente son las **UNICAS** garantías provistas por el fabricante. Estas garantías le otorgan derechos legales específicos y usted puede tener además otros derechos que varían de un estado a otro.*

LA ÚNICA Y EXCLUSIVA SOLUCIÓN PARA EL CLIENTE BAJO ESTA GARANTÍA LIMITADA ES LA REPARACIÓN DEL PRODUCTO SEGÚN SE INDICA AQUÍ. LAS GARANTÍAS IMPLÍCITAS, INCLUYENDO LAS GARANTÍAS DE COMERCIALIZACIÓN O DE APTITUD PARA UN PROPÓSITO EN PARTICULAR ESTÁN LIMITADAS A UN AÑO O AL PERÍODO DE TIEMPO MÍNIMO PERMITIDO POR LA LEY. MAYTAG CORPORATION NO SERÁ RESPONSABLE DE DAÑOS INCIDENTALES O CONSECUENTES. ALGUNOS ESTADOS Y PROVINCIAS NO PERMITEN LA EXCLUSIÓN O LIMITACIÓN DE DAÑOS INCIDENTALES O CONSECUENTES O LA LIMITACIÓN DE LA DURACIÓN DE LAS GARANTÍAS IMPLÍCITAS DE COMERCIALIZACIÓN O APTITUD, POR LO QUE ESTAS EXCLUSIONES O LIMITACIONES PUEDEN NO APLICARSE EN SU CASO. ESTA GARANTÍA LE OTORGA DERECHOS LEGALES ESPECÍFICOS. USTED TAMBIÉN PUEDE TENER OTROS DERECHOS QUE VARÍAN DE UN ESTADO A OTRO O DE UNA PROVINCIA A OTRA.

Lo que no cubren estas garantías

1. Situaciones y daños resultantes de cualquiera de las siguientes situaciones:
 - a. Instalación, entrega o mantenimiento inapropiados.
 - b. Cualquier reparación, modificación, alteración o ajuste no autorizados por el fabricante o taller de servicio autorizado.
 - c. Mal uso, abuso, accidentes, uso no razonable o hechos fortuitos.
 - d. Corriente, voltaje, suministro eléctrico o suministro de gas incorrectos.
 - e. Ajuste inadecuado de cualquier
2. Las garantías quedan nulas si los números de serie originales han sido retirados, alterados o no se pueden determinar fácilmente.
3. Bombillas, filtros de agua y filtros de aire.
4. Los productos comprados para uso comercial o industrial.
5. El costo del servicio o llamada de servicio para:
 - a. Corregir errores de instalación. Para los productos que requieran ventilación, se deben usar conductos de metal rígido.
 - b. Instruir al usuario en el uso adecuado del producto.
 - c. Transporte del electrodoméstico al establecimiento de servicio y de regreso.
6. Cualquier pérdida de alimentos debido a fallas del refrigerador o congelador.
7. Costos de viaje y transporte de servicio en áreas remotas.
8. Esta garantía no se aplica fuera de los Estados Unidos y Canadá. Póngase en contacto con su distribuidor para determinar si se aplica cualquier otra garantía.
9. Los daños consecuentes o incidentales sufridos por cualquier persona como resultado del incumplimiento de esta garantía. En algunos estados no se permite la exclusión o limitación de daños consecuentes o incidentales, por lo tanto la limitación o exclusión anterior puede no aplicarse en su caso.

Si necesita servicio

Primero revise la sección de localización y solución de averías en su guía de uso y cuidado o llame al distribuidor donde adquirió el electrodoméstico. También puede llamar a Maytag Services, LLC, Atención al cliente, al 1-800-688-9900 en EE.UU. y al 1-800-688-2002 en Canadá para ubicar a un agente de servicio calificado.

- Asegúrese de conservar el comprobante de compra para verificar el estado de la garantía. Consulte la sección sobre la GARANTÍA para mayor información sobre las responsabilidades del propietario para obtener servicio bajo la garantía.
- Si el distribuidor o la compañía de servicio no pueden resolver el problema, escriba a Maytag Services, LLC, Attn: CAIR® Center, P.O. Box 2370, Cleveland, TN 37320-2370 o llame al **1-800-688-9900 en EE.UU. y al 1-800-688-2002 en Canadá.**
- Las guías del propietario, manuales de servicio e información sobre las piezas pueden solicitarse a Maytag Services, LLC, Atención al cliente.

Notas: Cuando llame o escriba acerca de un problema de servicio, por favor incluya la siguiente información:

- a. Su nombre, dirección y número de teléfono;
- b. Número de modelo y número de serie;
- c. Nombre y dirección de su distribuidor o técnico de servicio;
- d. Una descripción clara del problema que está experimentando;
- e. Comprobante de compra (recibo de compra).